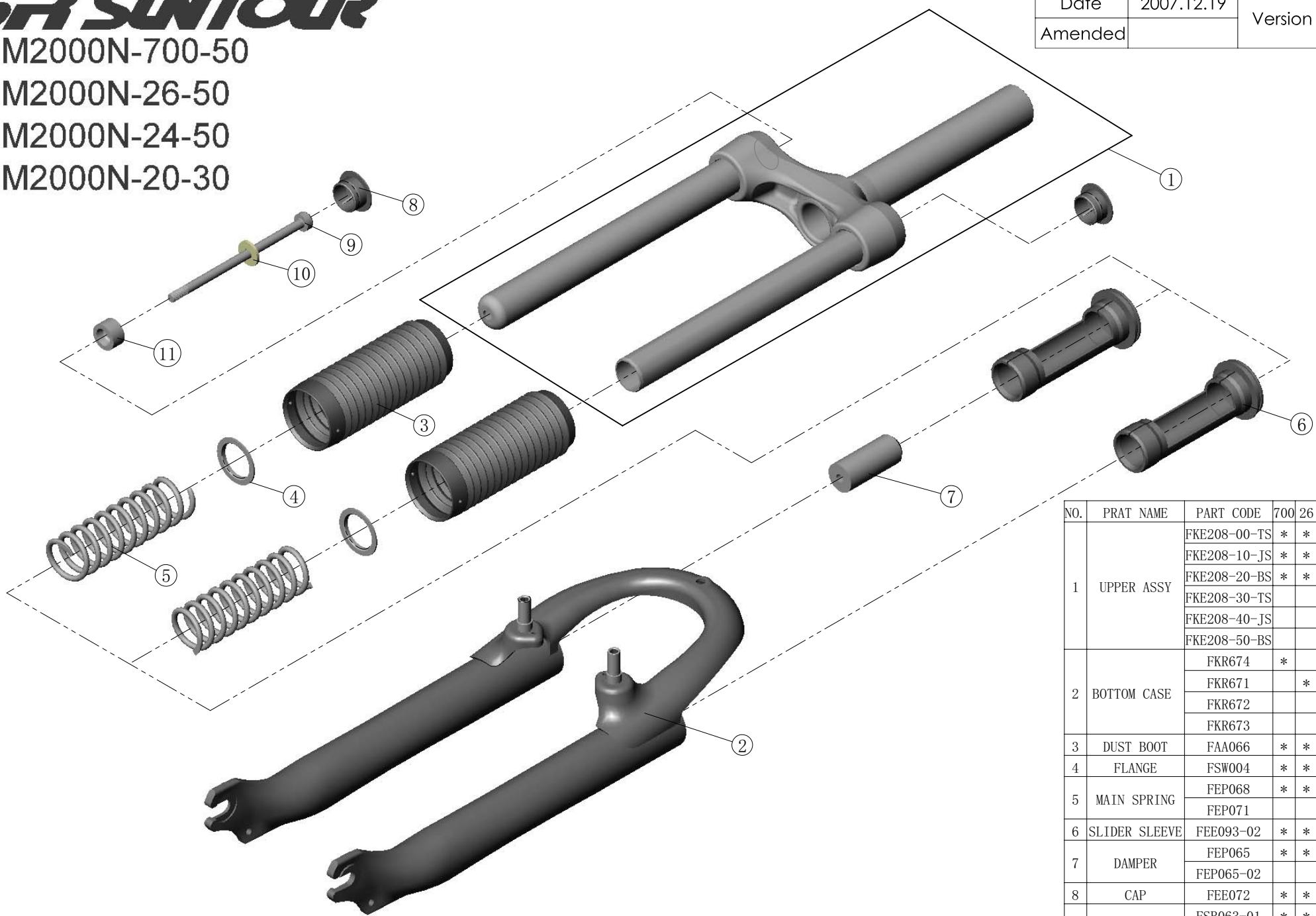


# SUNTOUR

SF-M2000N-700-50  
 SF-M2000N-26-50  
 SF-M2000N-24-50  
 SF-M2000N-20-30

Date	2007.12.19	Version	1
Amended			



NO.	PRAT NAME	PART CODE	700	26	24	20	QTY
1	UPPER ASSY	FKE208-00-TS	*	*	*		1
		FKE208-10-JS	*	*	*		1
		FKE208-20-BS	*	*	*		1
		FKE208-30-TS				*	1
		FKE208-40-JS				*	1
		FKE208-50-BS				*	1
2	BOTTOM CASE	FKR674	*				1
		FKR671		*			1
		FKR672			*		1
		FKR673				*	1
3	DUST BOOT	FAA066	*	*	*	*	2
4	FLANGE	FSW004	*	*	*	*	2
5	MAIN SPRING	FEP068	*	*	*		1
		FEP071				*	1
6	SLIDER SLEEVE	FEE093-02	*	*	*	*	2
7	DAMPER	FEP065	*	*	*		1
		FEP065-02				*	1
8	CAP	FEE072	*	*	*	*	1
9	FIXING BOLT	FSB063-01	*	*	*		1
		FSB063-03				*	1
10	WASHER	FSW003	*	*	*	*	1
11	REBOUND RUBBER	FEP066	*	*	*	*	1