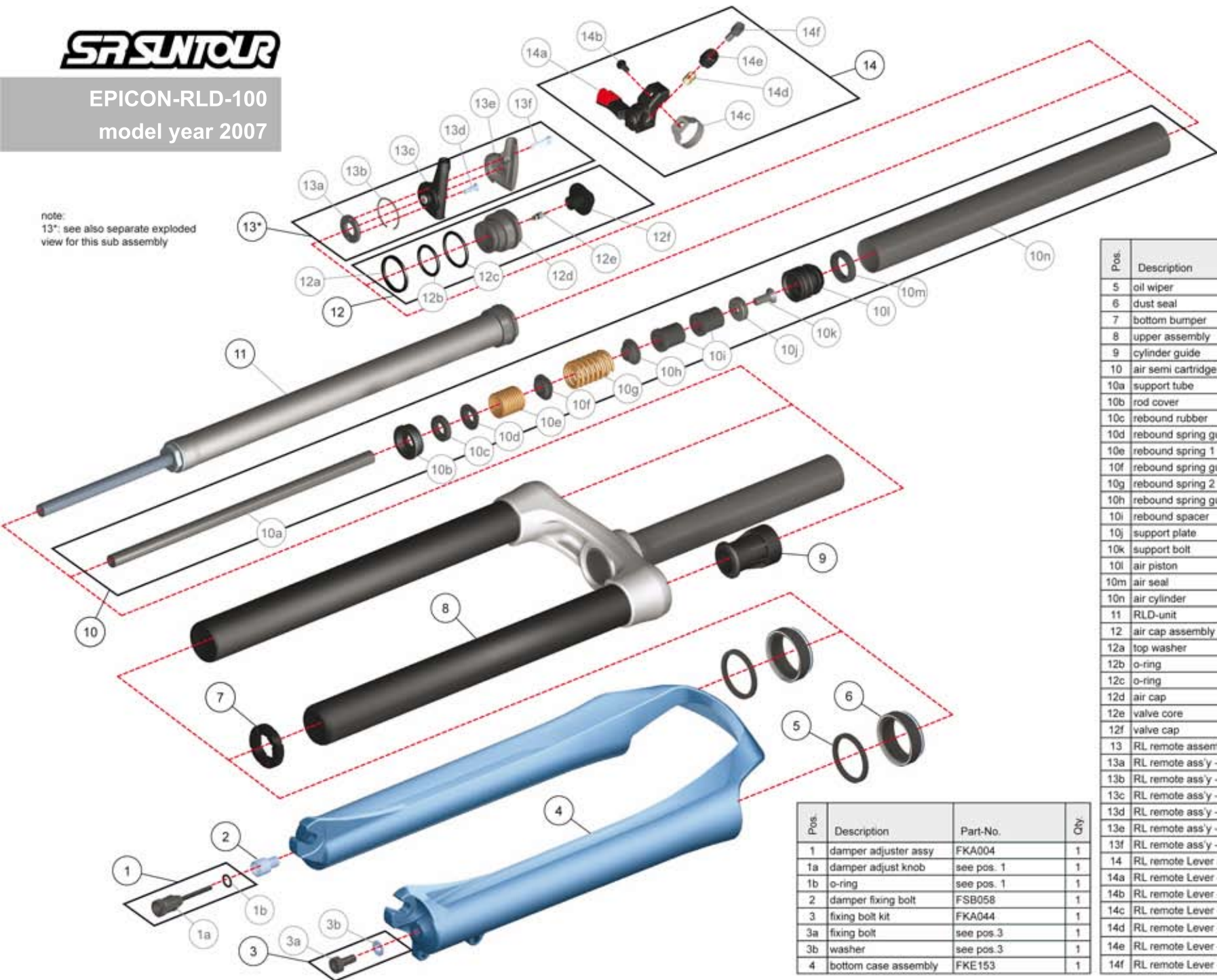


note:
13*: see also separate exploded
view for this sub assembly



Pos.	Description	Part-No.	Qty.
5	oil wiper	FAA207	2
6	dust seal	FAA169	2
7	bottom bumper	FEP233-10	1
8	upper assembly	FKE154-00	1
9	cylinder guide	FEE554	1
10	air semi cartridge	FKE146	1
10a	support tube	see pos.10	1
10b	rod cover	see pos.10	1
10c	rebound rubber	see pos.10	1
10d	rebound spring guide3	see pos.10	1
10e	rebound spring 1	see pos.10	1
10f	rebound spring guide2	see pos.10	1
10g	rebound spring 2	see pos.10	1
10h	rebound spring guide1	see pos.10	1
10i	rebound spacer	see pos.10	2
10j	support plate	see pos.10	1
10k	support bolt	see pos.10	1
10l	air piston	see pos.10	1
10m	air seal	see pos.10	1
10n	air cylinder	see pos.10	1
11	RLD-unit	FUN021-10	1
12	air cap assembly	FKA021-20	1
12a	top washer	see pos.12	1
12b	o-ring	see pos.12	1
12c	o-ring	see pos.12	1
12d	air cap	see pos.12	1
12e	valve core	see pos.12	1
12f	valve cap	see pos.12	1
13	RL remote assembly	FKE112	1
13a	RL remote ass'y - part a	see pos.13	1
13b	RL remote ass'y - part b	see pos.13	1
13c	RL remote ass'y - part c	see pos.13	1
13d	RL remote ass'y - part d	see pos.13	1
13e	RL remote ass'y - part e	see pos.13	1
13f	RL remote ass'y - part f	see pos.13	1
14	RL remote Lever ass'y	SL6SC-RL0	1
14a	RL remote Lever - part a	see pos.14	1
14b	RL remote Lever - part b	see pos.14	1
14c	RL remote Lever - part c	see pos.14	1
14d	RL remote Lever - part d	see pos.14	1
14e	RL remote Lever - part e	see pos.14	1
14f	RL remote Lever - part f	see pos.14	1
1	damper adjuster assy	FKA004	1
1a	damper adjust knob	see pos. 1	1
1b	o-ring	see pos. 1	1
2	damper fixing bolt	FSB058	1
3	fixing bolt kit	FKA044	1
3a	fixing bolt	see pos.3	1
3b	washer	see pos.3	1
4	bottom case assembly	FKE153	1