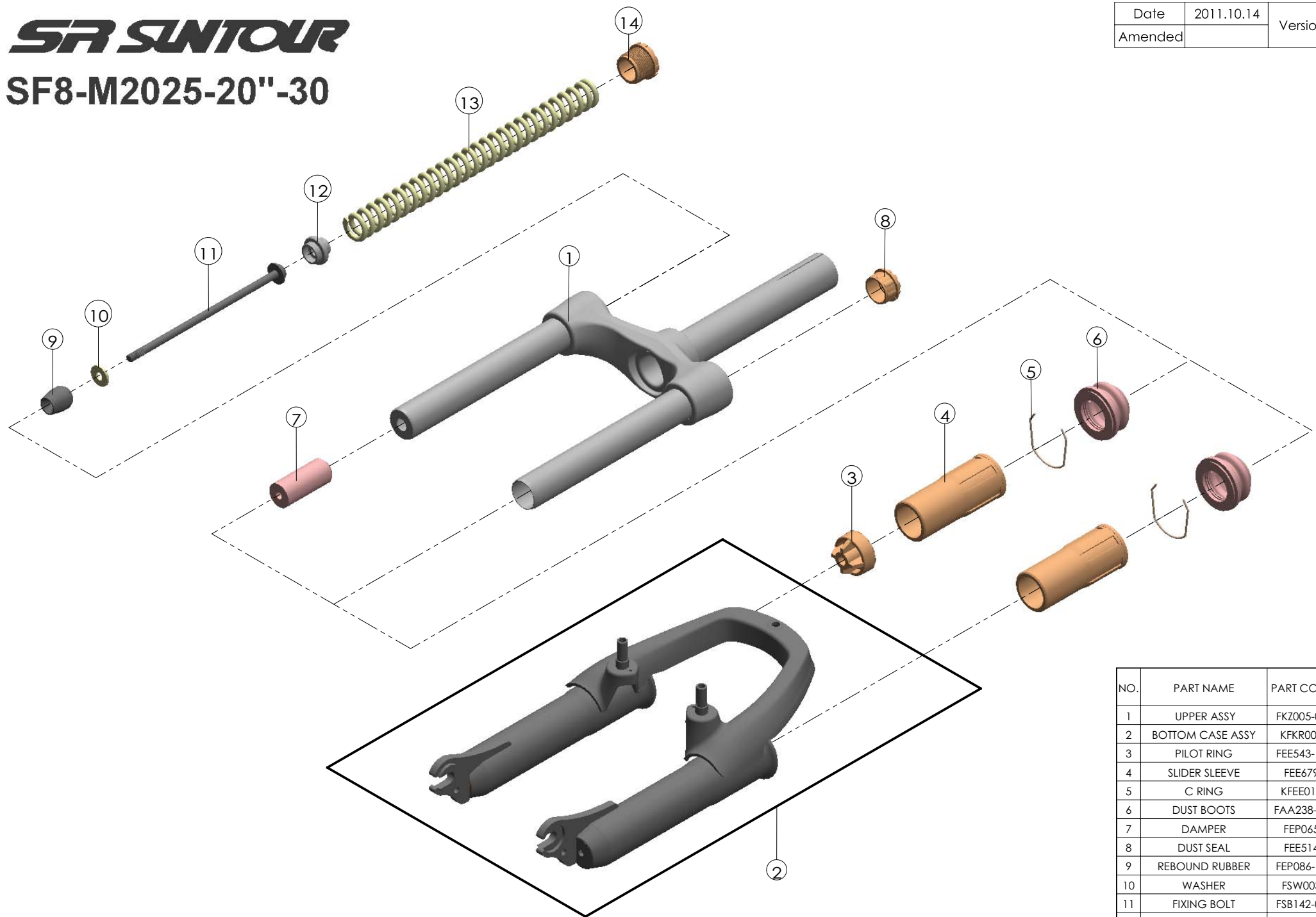


SF SUNTOUR

SF8-M2025-20"-30

Date	2011.10.14	Version	1
Amended			



NO.	PART NAME	PART CODE	QTY.
1	UPPER ASSY	FKZ005-01	1
2	BOTTOM CASE ASSY	KFKR003	1
3	PILOT RING	FEE543-10	1
4	SLIDER SLEEVE	FEE679	2
5	C RING	KFEE012	2
6	DUST BOOTS	FAA238-20	2
7	DAMPER	FEP065	1
8	DUST SEAL	FEE514	1
9	REBOUND RUBBER	FEP086-10	1
10	WASHER	FSW003	1
11	FIXING BOLT	FSB142-06	1
12	SPRING GUIDE	FEE385-30	1
13	MAIN SPRING	FEP507	1
14	ADJUST CAP	FEE675	1