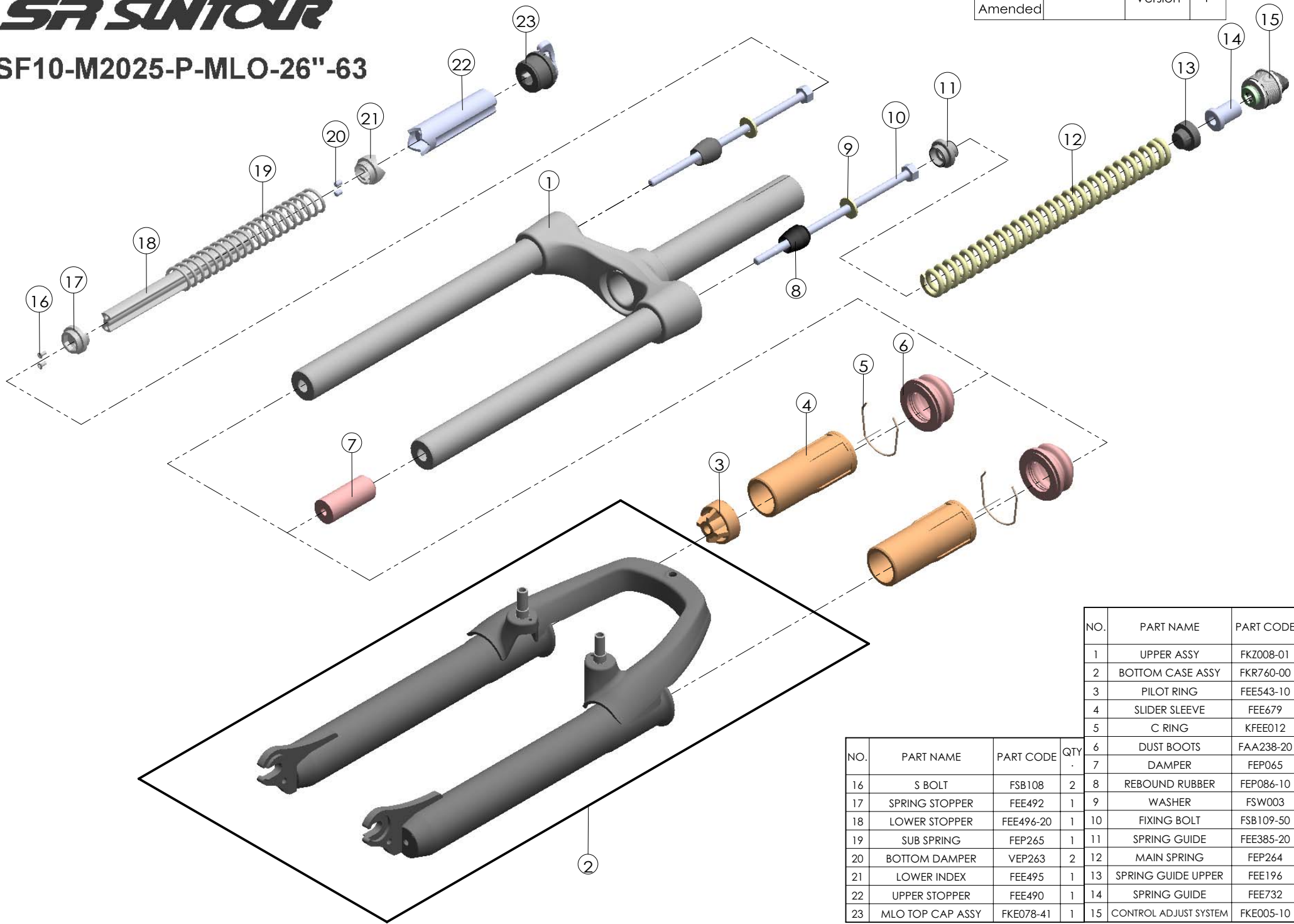


# SF10-SUNTOUR

## SF10-M2025-P-MLO-26"-63

Date	2011.11.14	Version	1
Amended			



NO.	PART NAME	PART CODE	QTY.
1	UPPER ASSY	FKZ008-01	1
2	BOTTOM CASE ASSY	FKR760-00	1
3	PILOT RING	FEE543-10	1
4	SLIDER SLEEVE	FEE679	2
5	C RING	KFEE012	2
6	DUST BOOTS	FAA238-20	2
7	DAMPER	FEP065	1
16	S BOLT	FSB108	2
17	SPRING STOPPER	FEE492	1
18	LOWER STOPPER	FEE496-20	1
19	SUB SPRING	FEP265	1
20	BOTTOM DAMPER	VEP263	2
21	LOWER INDEX	FEE495	1
22	UPPER STOPPER	FEE490	1
23	MLO TOP CAP ASSY	FKE078-41	1
8	REBOUND RUBBER	FEP086-10	2
9	WASHER	FSW003	2
10	FIXING BOLT	FSB109-50	2
11	SPRING GUIDE	FEE385-20	1
12	MAIN SPRING	FEP264	1
13	SPRING GUIDE UPPER	FEE196	1
14	SPRING GUIDE	FEE732	1
15	CONTROL ADJUST SYSTEM	FKE005-10	1