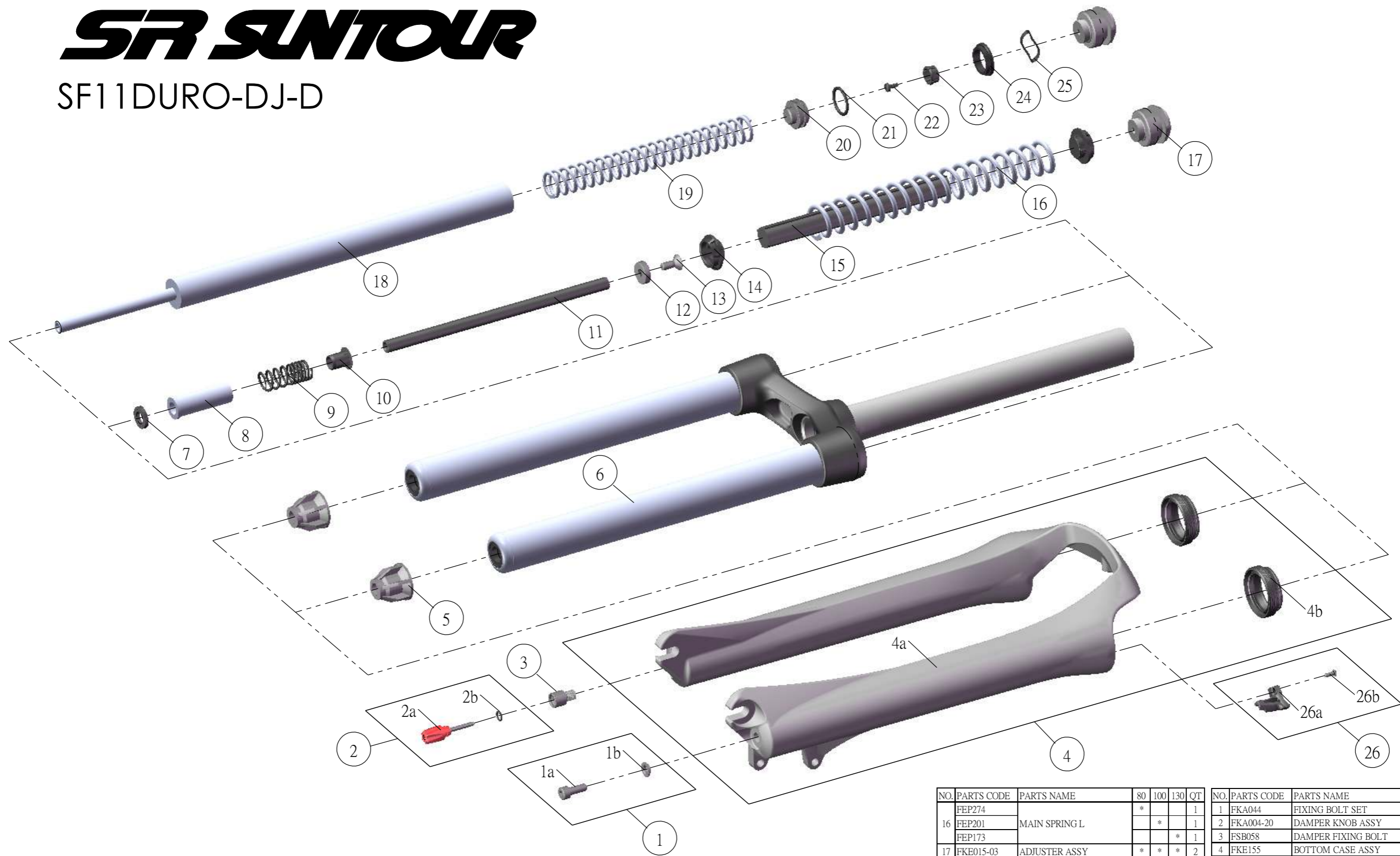


SR SUNTOUR

SF11DURO-DJ-D



| NO. | PARTS CODE | PARTS NAME | 80 | 100 | 130 | QT |
|-----|------------|----------------------|----|-----|-----|----|
| 1 | FEP274 | MAIN SPRING L | * | | | 1 |
| 16 | FEP201 | | | * | | 1 |
| | FEP173 | | | | * | 1 |
| 17 | FKE015-03 | ADJUSTER ASSY | * | * | * | 2 |
| | FKE079-25 | DAMPER CYLINDER ASSY | * | | | 1 |
| 18 | FKE079-21 | | | * | | 1 |
| | FKE079-20 | | | | * | 1 |
| | FEP275 | MAIN SPRING R | * | | | 1 |
| 19 | FEP200 | | | * | | 1 |
| | FEP172 | | | | * | 1 |
| 20 | FEE159 | TOP SEAL CAP | * | * | * | 1 |
| 21 | FAA096 | O RING | * | * | * | 1 |
| 22 | DTB013 | TAPP.SCREW | * | * | * | 1 |
| 23 | FEE173 | CAP CONNECTOR | * | * | * | 1 |
| 24 | FEE160 | TOP WASHER | * | * | * | 1 |
| 25 | FSW012 | WAVE WASHER | * | * | * | 1 |
| 26 | FKA064 | CABLE GUIDE SET | * | * | * | 1 |
| 1 | FKA044 | FIXING BOLT SET | * | * | * | 1 |
| 2 | FKA004-20 | DAMPER KNOB ASSY | * | * | * | 1 |
| 3 | FSB058 | DAMPER FIXING BOLT | * | * | * | 1 |
| 4 | FKE155 | BOTTOM CASE ASSY | * | * | * | 1 |
| 4b | FAA169 | DUST SEAL | * | * | * | 2 |
| 5 | FEE535 | BOTTOM STOPPER | * | * | * | 2 |
| 6 | FKE156-01 | UPPER ASSY | * | * | * | 1 |
| 7 | FEP052 | REBOUND RUBBER | * | * | * | 1 |
| 8 | FEE290-04 | REBOUND SPACER | * | | | 1 |
| | FEE290-02 | | | | * | 1 |
| 9 | FEP058 | REBOUND SPRING | * | * | * | 1 |
| 10 | FEE095 | REBOUND SPRING GUIDE | * | * | * | 1 |
| 11 | FEE048-26 | SUPPORT TUBE | * | * | * | 1 |
| 12 | FEE047 | SUPPORT PLATE | * | * | * | 1 |
| 13 | FSB044 | SUPPORT BOLT | * | * | * | 1 |
| 14 | FEE262 | SPRING GUIDE | * | * | * | 1 |
| 15 | FEP171 | DAMPER | * | * | * | 1 |