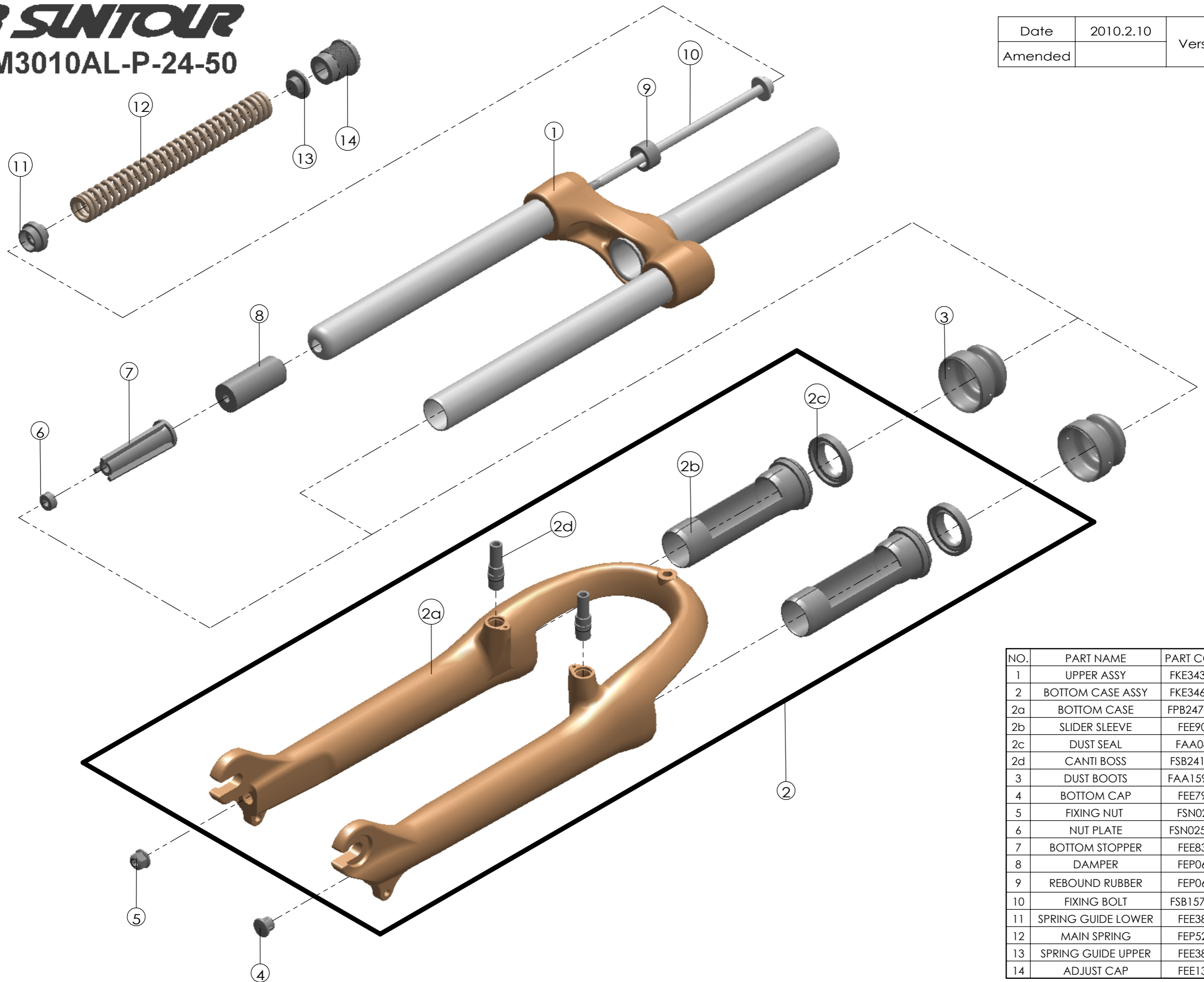


SUNTOUR

SF11-M3010AL-P-24-50

Date	2010.2.10	Version	1
Amended			



NO.	PART NAME	PART CODE	QTY.
1	UPPER ASSY	FKE343-30	1
2	BOTTOM CASE ASSY	FKE346-10	1
2a	BOTTOM CASE	FPB247-NA	1
2b	SLIDER SLEEVE	FEE906	2
2c	DUST SEAL	FAA085	2
2d	CANTI BOSS	FSB241-16	2
3	DUST BOOTS	FAA159-10	2
4	BOTTOM CAP	FEE795	1
5	FIXING NUT	FSN023	1
6	NUT PLATE	FSN025-10	1
7	BOTTOM STOPPER	FEE833	1
8	DAMPER	FEP065	1
9	REBOUND RUBBER	FEP066	1
10	FIXING BOLT	FSB157-01	1
11	SPRING GUIDE LOWER	FEE385	1
12	MAIN SPRING	FEP521	1
13	SPRING GUIDE UPPER	FEE384	1
14	ADJUST CAP	FEE134	2