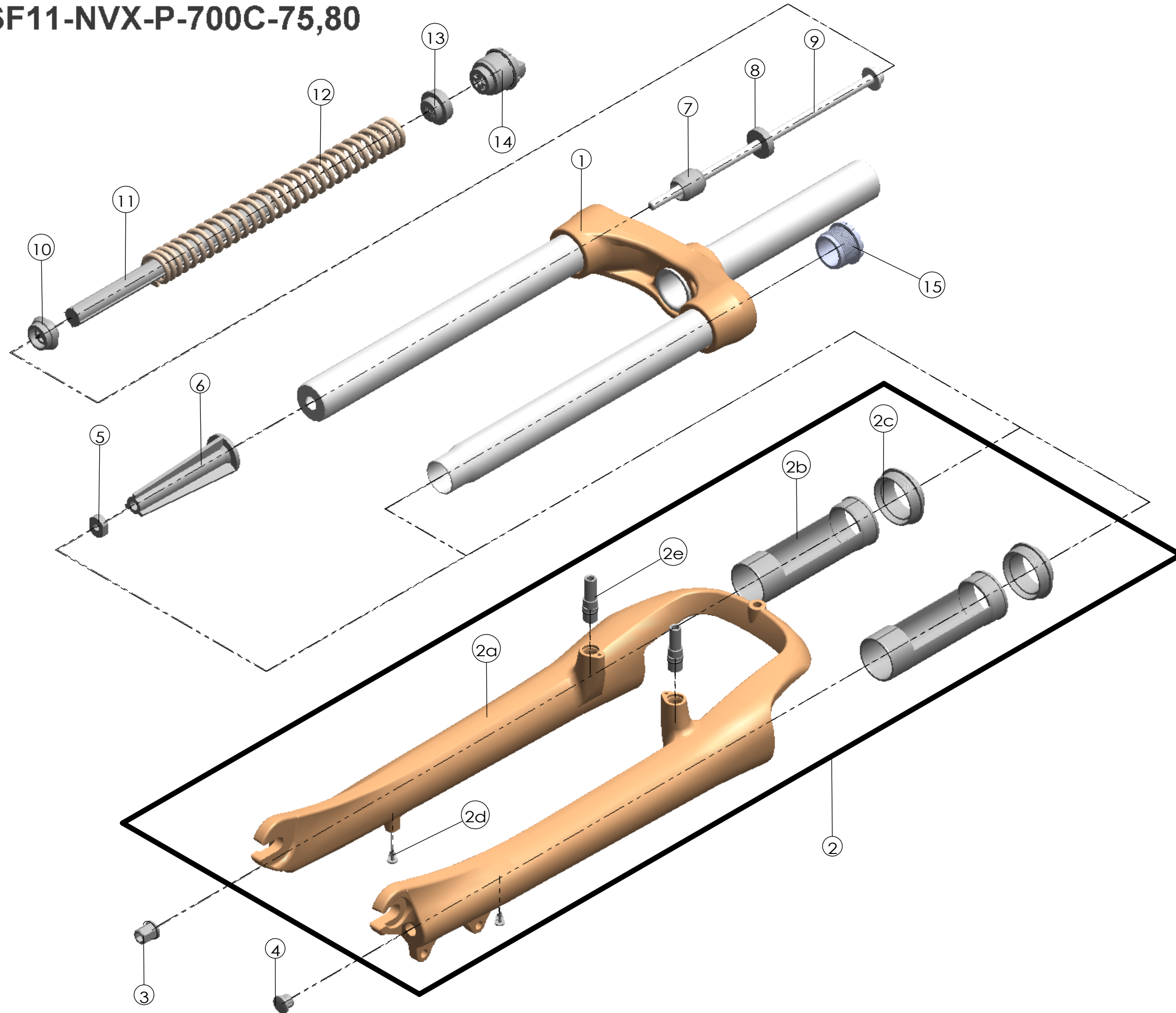


SF SUNTOUR

SF11-NVX-P-700C-75,80

| | | | |
|---------|-----------|---------|---|
| Date | 2010.8.27 | Version | 1 |
| Amended | | | |



| NO. | PART NAME | PART CODE | QTY. | |
|-----|-----------------------|-----------|------|----|
| | | | 75 | 80 |
| 1 | UPPER ASSY | FKE359-02 | 1 | 1 |
| 2 | BOTTOM CASE ASSY | FKE361 | 1 | 1 |
| 2a | BOTTOM CASE | FPB297 | 1 | 1 |
| 2b | SLIDER SLEEVE | FEE942 | 2 | 2 |
| 2c | DUST SEAL | FAA125-40 | 2 | 2 |
| 2d | MOUNT CAP | FAA199 | 2 | 2 |
| 2e | CANTI BOSS | FSB241-16 | 2 | 2 |
| 3 | FIXING NUT | FSN023-10 | 1 | 1 |
| 4 | BOTTOM CAP | FEE795 | 1 | 1 |
| 5 | NUT PLATE | FSN025 | 1 | 1 |
| 6 | BOTTOM STOPPER | FEE853-00 | 1 | 1 |
| 7 | REBOUND RUBBER | FEP086-10 | 1 | 1 |
| 8 | WASHER | FEE881 | 1 | - |
| 9 | FIXING BOLT | FSB159-00 | 1 | 1 |
| 10 | SPRING GUIDE LOWER | FEE468-10 | 1 | 1 |
| 11 | DAMPER | FEP262-80 | 1 | 1 |
| 12 | MAIN SPRING | FEP503 | 1 | - |
| | | FEP485 | - | 1 |
| 13 | SPRING GUIDE UPPER | FEE467-10 | 1 | 1 |
| 14 | CONTROL ADJUST SYSTEM | FKE008-11 | 1 | 1 |
| 15 | CAP | FEE830 | 1 | 1 |