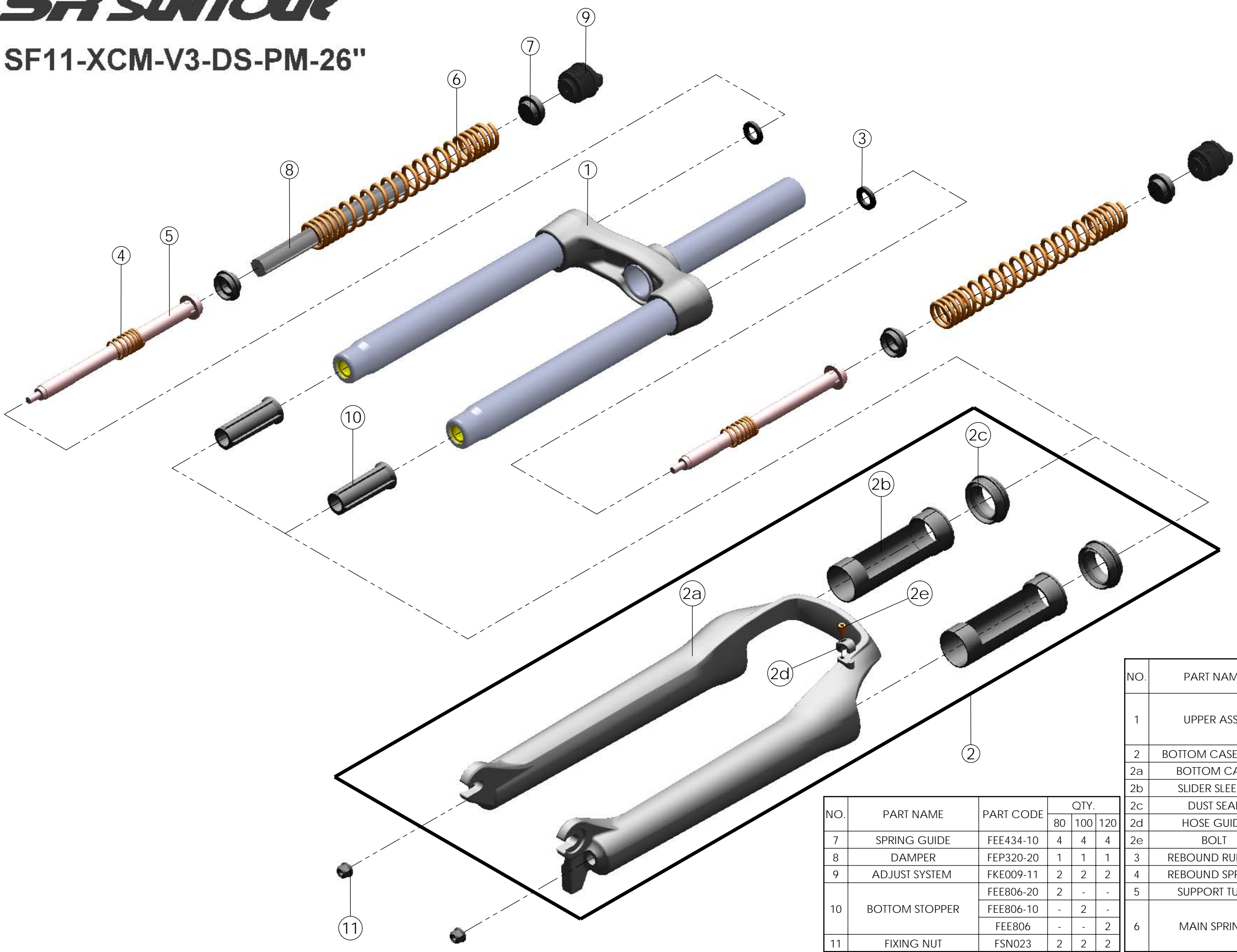


# SF SUNTOUR

## SF11-XCM-V3-DS-PM-26"



NO.	PART NAME	PART CODE	QTY.		
			80	100	120
7	SPRING GUIDE	FEE434-10	4	4	4
8	DAMPER	FEP320-20	1	1	1
9	ADJUST SYSTEM	FKE009-11	2	2	2
10	BOTTOM STOPPER	FEE806-20	2	-	-
		FEE806-10	-	2	-
		FEE806	-	-	2
11	FIXING NUT	FSN023	2	2	2

NO.	PART NAME	PART CODE	QTY.		
			80	100	120
1	UPPER ASSY	FKE356	1	-	-
		FKE356-10	-	1	-
		FKE356-20	-	-	1
2	BOTTOM CASE ASSY	FKE357	1	1	1
2a	BOTTOM CASE	FPB277	1	1	1
2b	SLIDER SLEEVE	FEE785	2	2	2
2c	DUST SEAL	FAA070-20	2	2	2
2d	HOSE GUIDE	FEE797	1	1	1
2e	BOLT	FSB153	1	1	1
3	REBOUND RUBBER	FEP053	2	2	2
4	REBOUND SPRING	FEP058-20	2	2	2
5	SUPPORT TUBE	FEE800	2	2	2
6	MAIN SPRING	FEP327	2	-	-
		FEP319	-	2	-
		FEP435	-	-	2