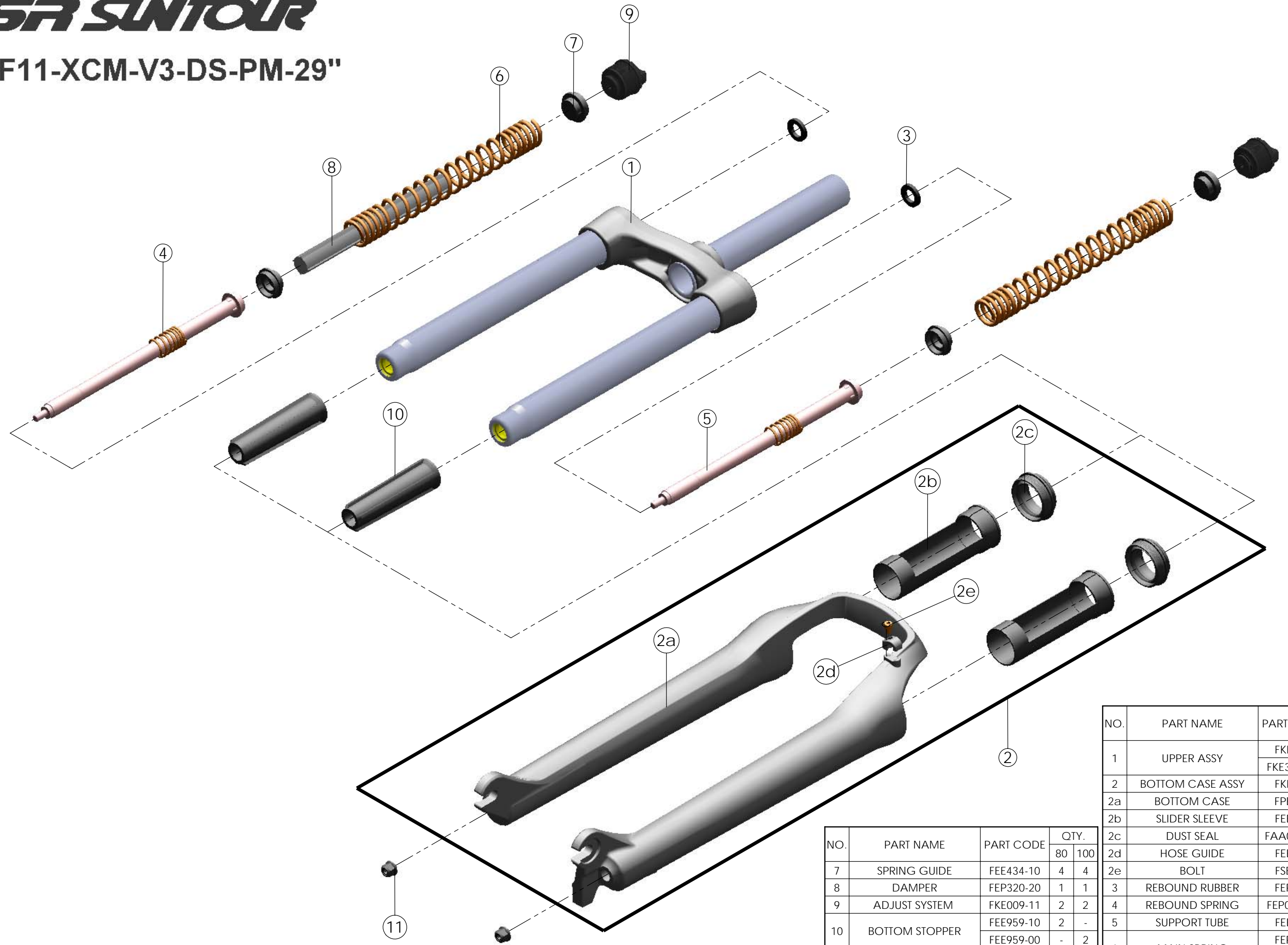


SUNTOUR

SF11-XCM-V3-DS-PM-29"



NO.	PART NAME	PART CODE	QTY.	
			80	100
7	SPRING GUIDE	FEE434-10	4	4
8	DAMPER	FEP320-20	1	1
9	ADJUST SYSTEM	FKE009-11	2	2
10	BOTTOM STOPPER	FEE959-10	2	-
		FEE959-00	-	2
11	FIXING NUT	FSN023	2	2

NO.	PART NAME	PART CODE	QTY.	
			80	100
1	UPPER ASSY	FKE356	1	-
		FKE356-10	-	1
2	BOTTOM CASE ASSY	FKE366	1	1
2a	BOTTOM CASE	FPB281	1	1
2b	SLIDER SLEEVE	FEE785	2	2
2c	DUST SEAL	FAA070-20	2	2
2d	HOSE GUIDE	FEE797	1	1
2e	BOLT	FSB153	1	1
3	REBOUND RUBBER	FEP053	2	2
4	REBOUND SPRING	FEP058-20	2	2
5	SUPPORT TUBE	FEE960	2	2
6	MAIN SPRING	FEP327	2	-
		FEP319	-	2