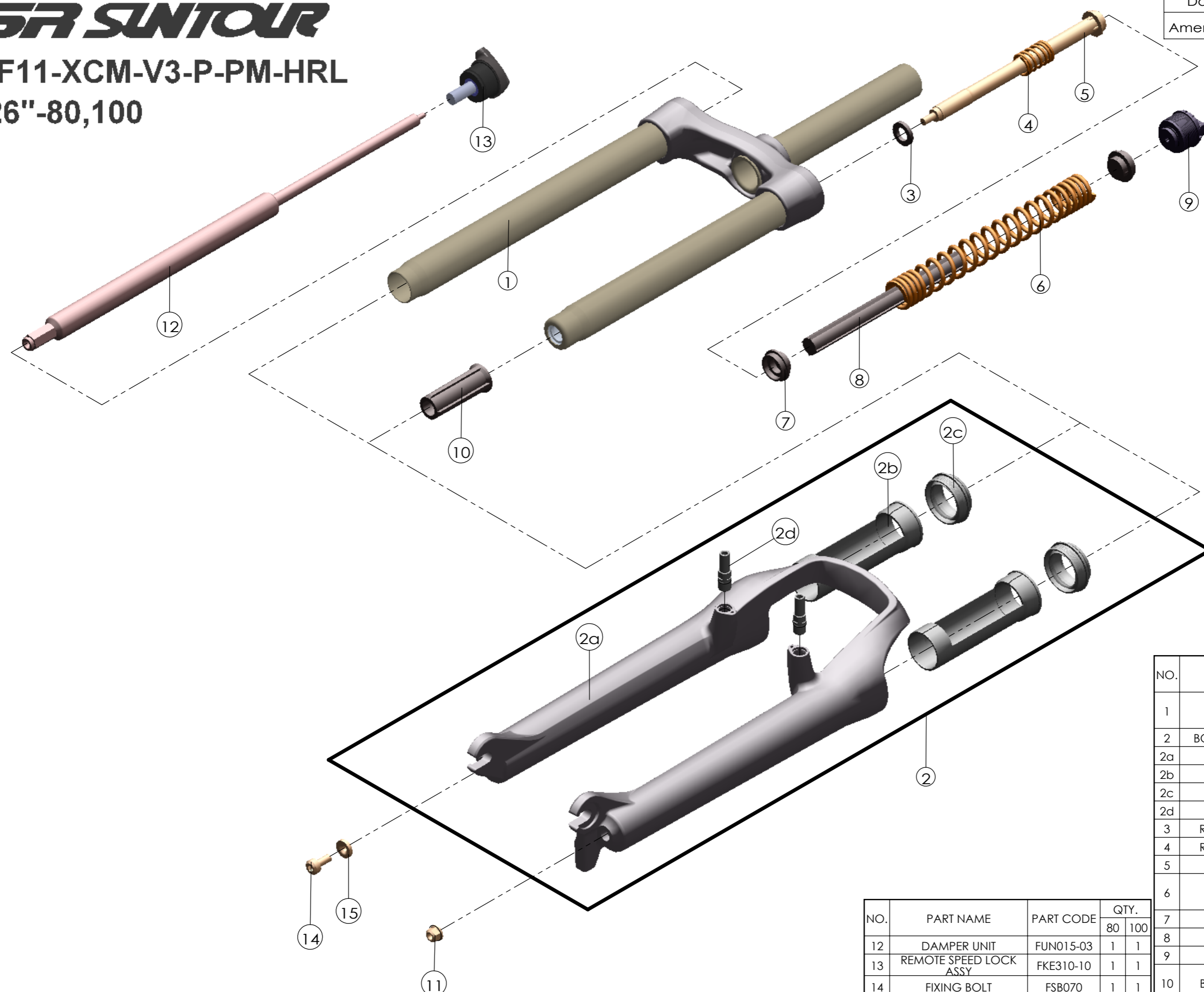


SUNTOUR

SF11-XCM-V3-P-PM-HRL -26"-80,100

Date	2010.8.20	Version	1
Amended			



NO.	PART NAME	PART CODE	QTY.	
			80	100
1	UPPER ASSY	FKE356-31	1	-
		FKE356-41	-	1
2	BOTTOM CASE ASSY	FKE358	1	1
2a	BOTTOM CASE	FPB276	1	1
2b	SLIDER SLEEVE	FEE785	2	2
2c	DUST SEAL	FAA070-10	2	2
2d	CANTI BOSS	FSB241-16	2	2
3	REBOUND RUBBER	FEP053	1	1
4	REBOUND SPRING	FEP189-20	1	1
5	SUPPORT TUBE	FEE800	1	1
6	MAIN SPRING	FEP439	1	-
		FEP438	-	1
7	SPRING GUIDE	FEE434-10	2	2
8	DAMPER	FEP320-20	1	1
9	ADJUST SYSTEM	FKE009-11	1	1
10	BOTTOM STOPPER	FEE806-20	1	-
		FEE806-10	-	1
11	FIXING NUT	FSN023	1	1
12	DAMPER UNIT	FUN015-03	1	1
13	REMOTE SPEED LOCK ASSY	FKE310-10	1	1
14	FIXING BOLT	FSB070	1	1
15	WASHER	FSW025	1	1

NO.	PART NAME	PART CODE	QTY.	
			80	100
12	DAMPER UNIT	FUN015-03	1	1
13	REMOTE SPEED LOCK ASSY	FKE310-10	1	1
14	FIXING BOLT	FSB070	1	1
15	WASHER	FSW025	1	1