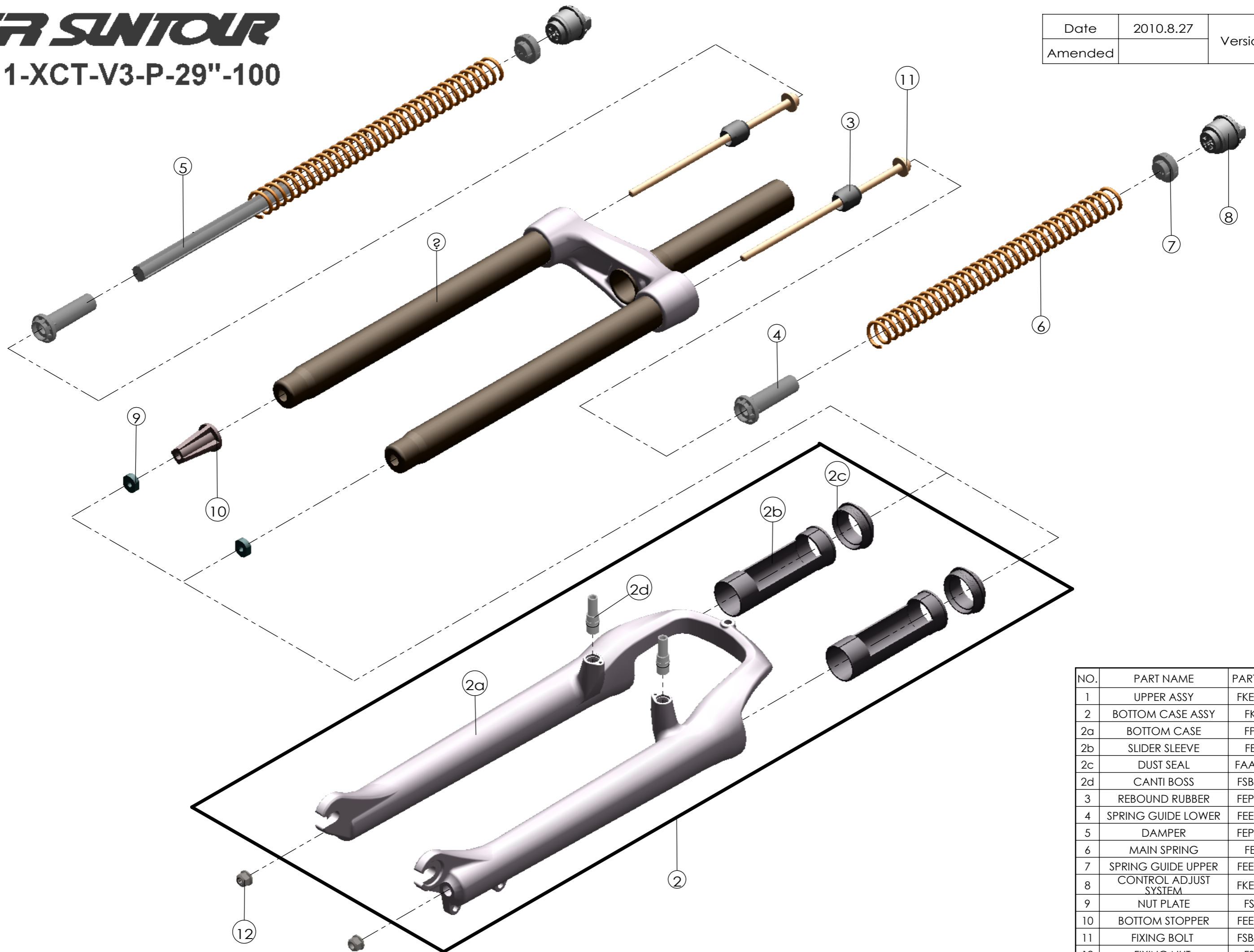


# SF SUNTOUR

## SF11-XCT-V3-P-29"-100

Date	2010.8.27	Version	1
Amended			



NO.	PART NAME	PART CODE	QTY.
1	UPPER ASSY	FKE354-10	1
2	BOTTOM CASE ASSY	FKE387	1
2a	BOTTOM CASE	FPB299	1
2b	SLIDER SLEEVE	FEE942	2
2c	DUST SEAL	FAA125-40	2
2d	CANTI BOSS	FSB241-16	2
3	REBOUND RUBBER	FEP086-10	2
4	SPRING GUIDE LOWER	FEE502-30	2
5	DAMPER	FEP262-20	1
6	MAIN SPRING	FEP400	2
7	SPRING GUIDE UPPER	FEE389-40	2
8	CONTROL ADJUST SYSTEM	FKE008-11	2
9	NUT PLATE	FSN025	2
10	BOTTOM STOPPER	FEE909-00	1
11	FIXING BOLT	FSB159-03	2
12	FIXING NUT	FSN023	2