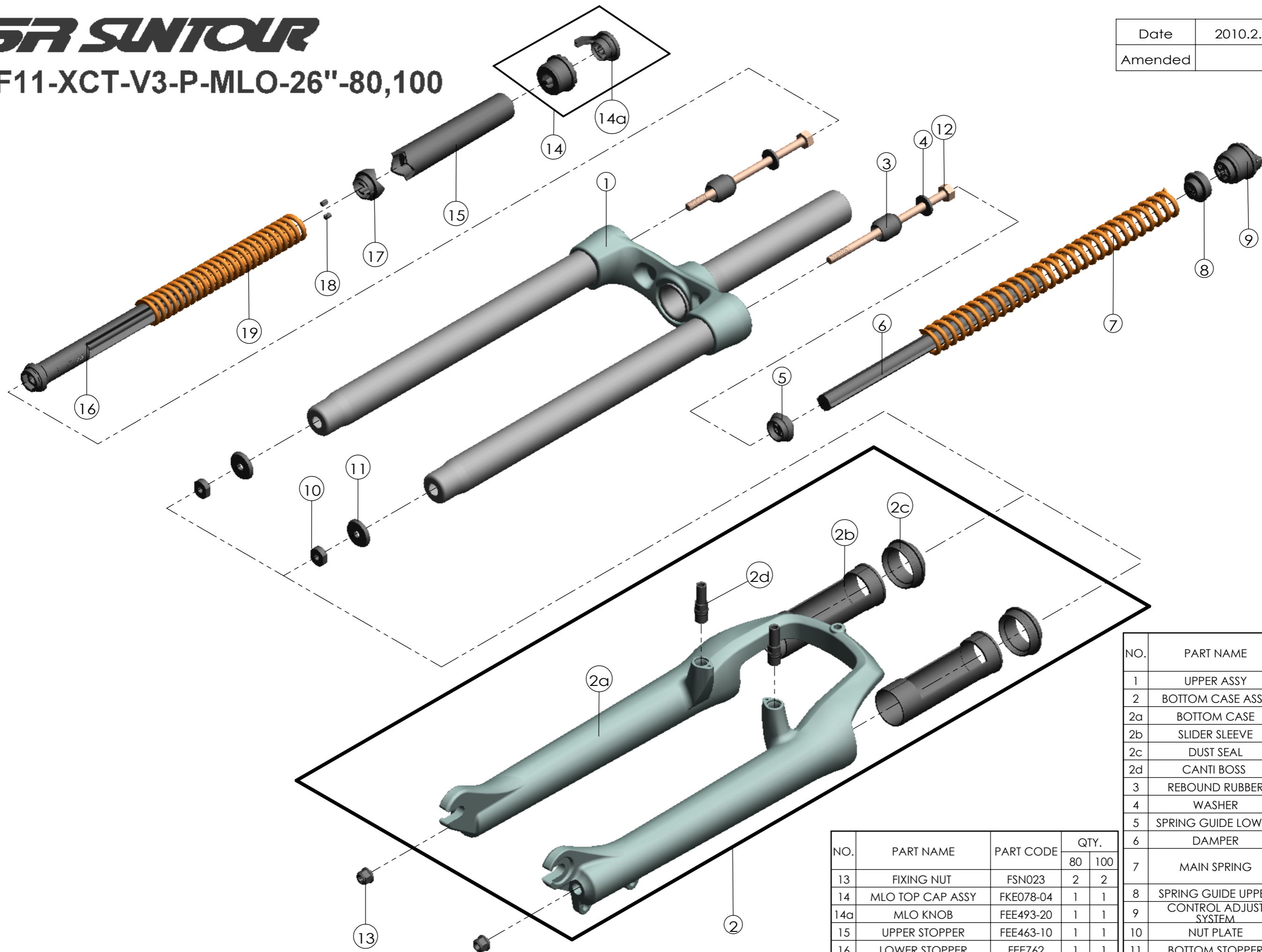


SF SUNTOUR

SF11-XCT-V3-P-MLO-26"-80,100

Date	2010.2.5	Version	1
Amended			



NO.	PART NAME	PART CODE	QTY.	
			80	100
13	FIXING NUT	FSN023	2	2
14	MLO TOP CAP ASSY	FKE078-04	1	1
14a	MLO KNOB	FEE493-20	1	1
15	UPPER STOPPER	FEE463-10	1	1
16	LOWER STOPPER	FEE762	1	1
17	LOWER INDEX	FEE473-10	1	1
18	BOTTOM DAMPER	FEP263	2	2
19	SUB SPRING	FEP260-10	1	1

NO.	PART NAME	PART CODE	QTY.	
			80	100
1	UPPER ASSY	FKE351-20	1	1
2	BOTTOM CASE ASSY	FKE352	1	1
2a	BOTTOM CASE	FPB280	1	1
2b	SLIDER SLEEVE	FEE942	2	2
2c	DUST SEAL	FAA125-40	2	2
2d	CANTI BOSS	FSB241-16	2	2
3	REBOUND RUBBER	FEP086-10	2	2
4	WASHER	FSW003	2	2
5	SPRING GUIDE LOWER	FEE468-10	1	1
6	DAMPER	FEP262-10	1	1
7	MAIN SPRING	FEP289-30	1	-
		FEP261-30	-	1
8	SPRING GUIDE UPPER	FEE467-10	1	1
9	CONTROL ADJUST SYSTEM	FKE008-11	1	1
10	NUT PLATE	FSN025	2	2
11	BOTTOM STOPPER	FEE465	2	2
12	FIXING BOLT	FSB107-10	2	-
	FIXING BOLT R	FSB107	-	1
	FIXING BOLT L	FSB067-70	-	1