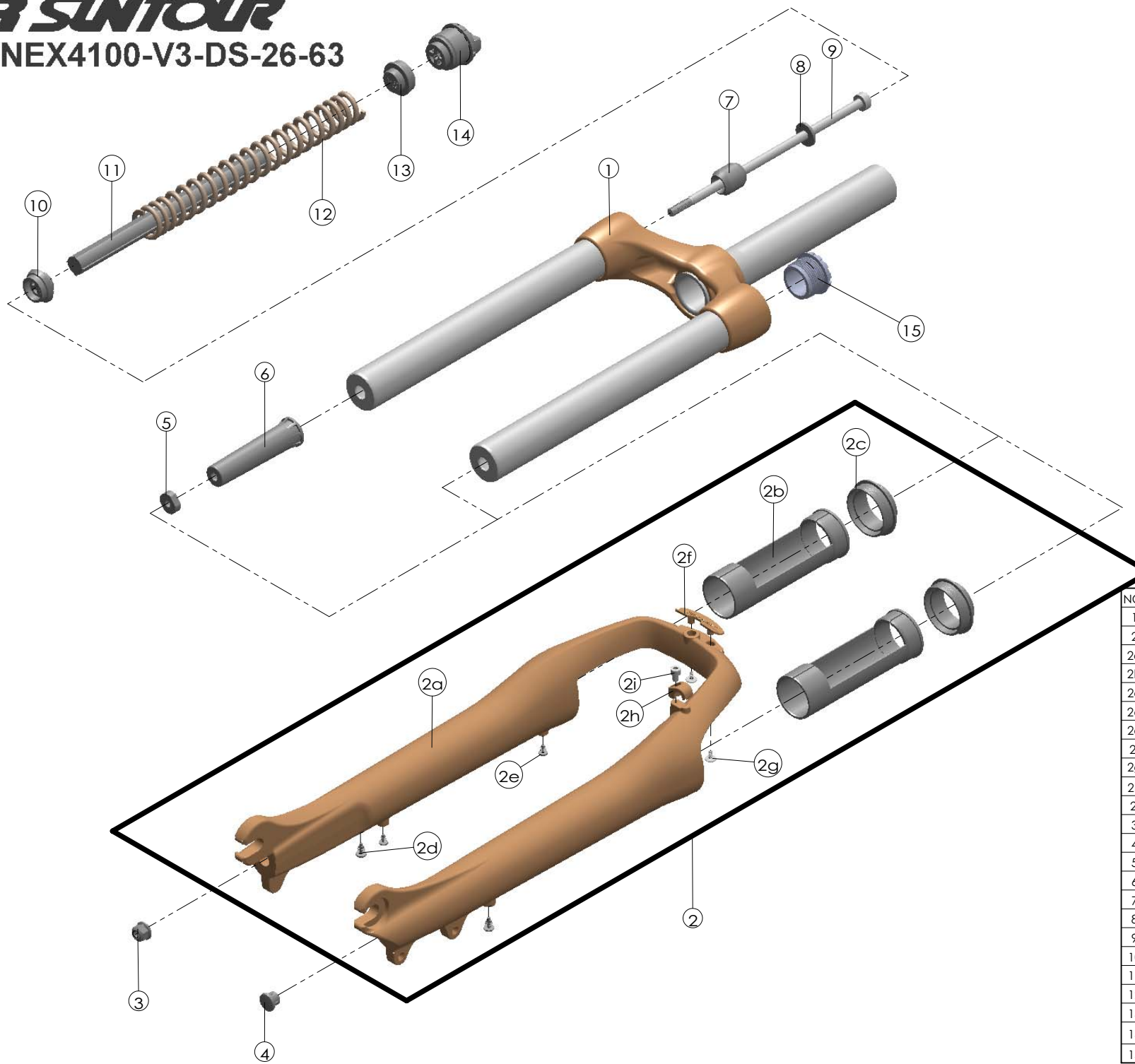


Date	2011.3.15	Version	1
Amended			



NO.	PART NAME	PART CODE	QTY.
1	UPPER ASSY	FKE338-01	1
2	BOTTOM CASE ASSY	FKE417	1
2a	BOTTOM CASE	FPB324	1
2b	SLIDER SLEEVE	FEE942	2
2c	DUST SEAL	FAA125-40	2
2d	MOUNT CAP $\Phi$ 5.4	FAA199	2
2e	MOUNT CAP $\Phi$ 4.4	FAA199-10	2
2f	BRACE COVER	FEE716	1
2g	TAPPING SCREW	FSB114-20	2
2h	BRAKE HOSE GUIDE	FEE797	1
2i	SCREW	FSB153	1
3	FIXING NUT	FSN023	1
4	BOTTOM CAP	FEE795	1
5	NUT PLATE	FSN025	1
6	BOTTOM STOPPER	FEE451	1
7	REBOUND RUBBER	FEP086-10	1
8	WASHER	FSW003	1
9	FIXING BOLT	FSB067-90	1
10	SPRING GUIDE LOWER	FEE468-10	1
11	DAMPER	FEP262-50	1
12	MAIN SPRING	FEP503	1
13	SPRING GUIDE UPPER	FEE467-10	1
14	CONTROL ADJUST SYSTEM	FKE008-11	1
15	CAP	FEE830	1