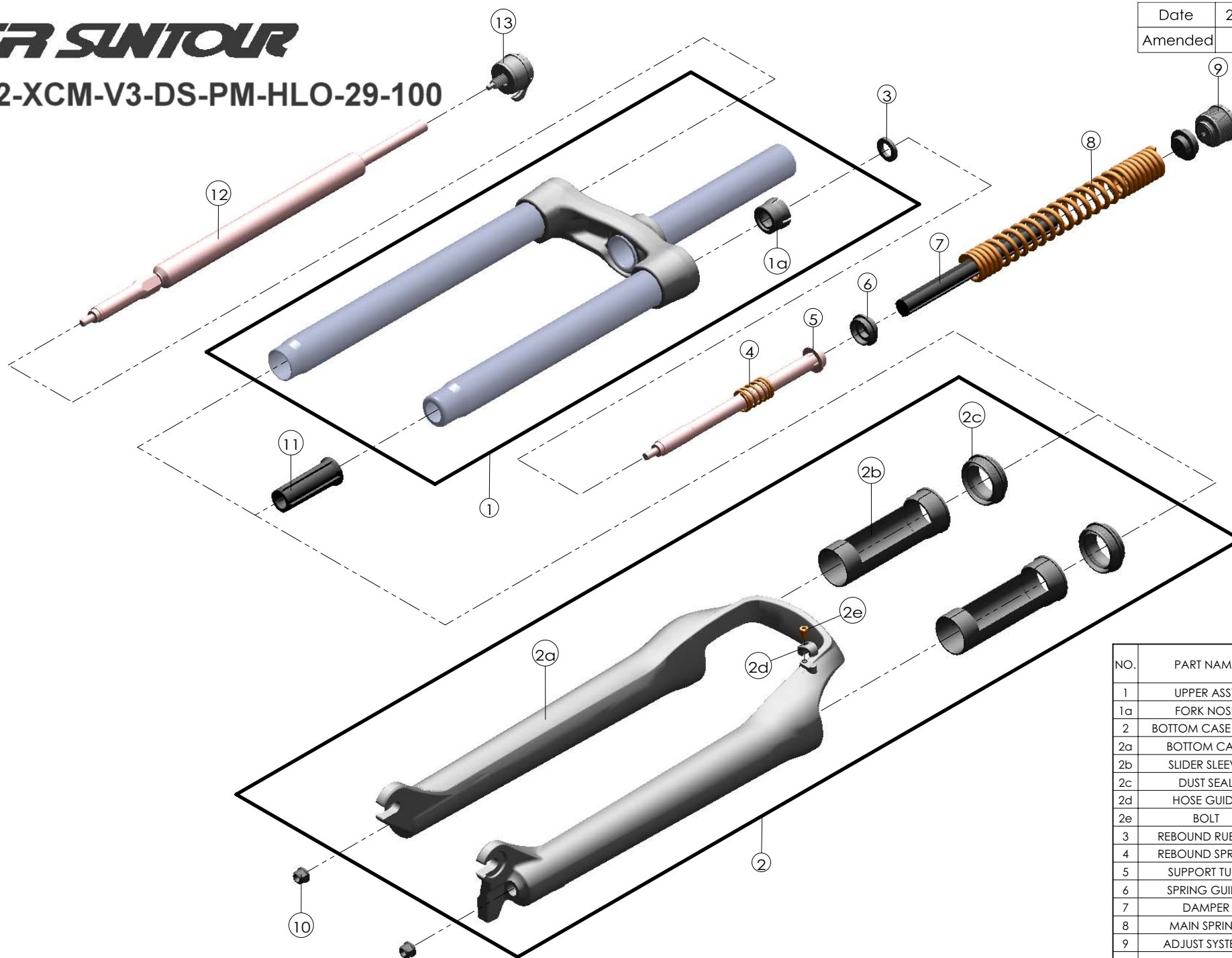


Date	2011.10.11	Version	1
Amended			



NO.	PART NAME	PART CODE	QTY.
1	UPPER ASSY	FKZ003-01	1
1a	FORK NOSE	FEE805	1
2	BOTTOM CASE ASSY	FKZ004-10	1
2a	BOTTOM CASE	FPB281	1
2b	SLIDER SLEEVE	FEE785	2
2c	DUST SEAL	FAA070-10	2
2d	HOSE GUIDE	FEE797	1
2e	BOLT	FSB153	1
3	REBOUND RUBBER	FEP053	1
4	REBOUND SPRING	FEP189-20	1
5	SUPPORT TUBE	FEE960	1
6	SPRING GUIDE	FEE434-20	2
7	DAMPER	FEP322-20	1
8	MAIN SPRING	FEP448	1
9	ADJUST SYSTEM	FKE009-11	1
10	FIXING NUT	FSN023	2
11	BOTTOM STOPPER	FEE959-00	1
12	DAMPER UNIT	FUN050-11	1
13	LO ADJUST SYSTEM	FKE028-26	1