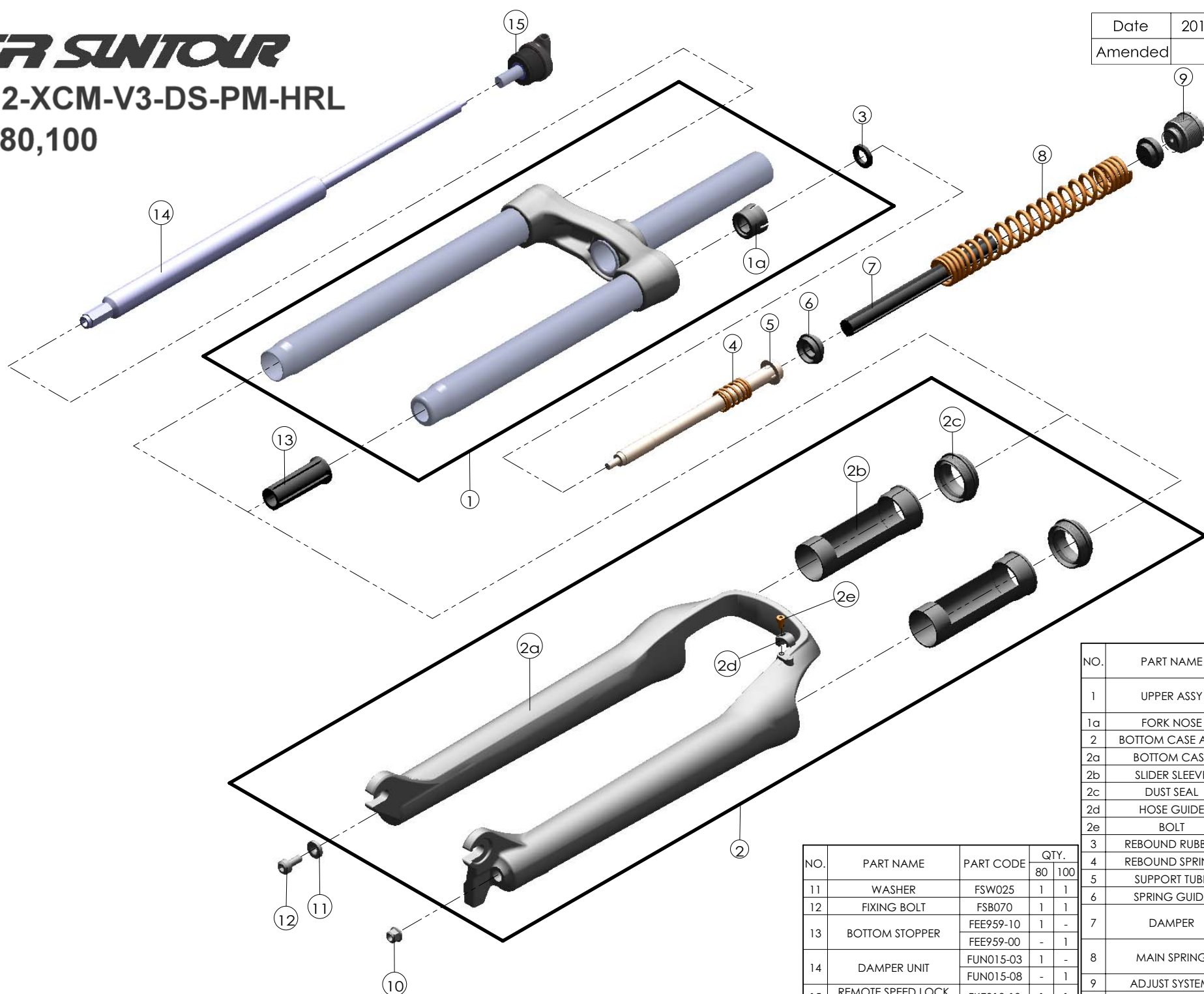


SUNTOUR

SF12-XCM-V3-DS-PM-HRL

-29-80,100

Date	2011.10.8	Version	1
Amended			



NO.	PART NAME	PART CODE	QTY.	
			80	100
1	UPPER ASSY	FKZ002-01	1	-
		FKZ003-01	-	1
1a	FORK NOSE	FEE805	1	1
2	BOTTOM CASE ASSY	FKZ004-10	1	1
2a	BOTTOM CASE	FPB281	1	1
2b	SLIDER SLEEVE	FEE785	2	2
2c	DUST SEAL	FAA070-10	2	2
2d	HOSE GUIDE	FEE797	1	1
2e	BOLT	FSB153	1	1
3	REBOUND RUBBER	FEP053	1	1
4	REBOUND SPRING	FEP189-20	1	1
5	SUPPORT TUBE	FEE960	1	1
6	SPRING GUIDE	FEE434-10	2	2
7	DAMPER	FEP320-20	1	-
		FEP322-20	-	1
8	MAIN SPRING	FEP439	1	-
		FEP438	-	1
9	ADJUST SYSTEM	FKE009-11	1	1
10	FIXING NUT	FSN023	1	1

NO.	PART NAME	PART CODE	QTY.	
			80	100
11	WASHER	FSW025	1	1
12	FIXING BOLT	FSB070	1	1
13	BOTTOM STOPPER	FEE959-10	1	-
		FEE959-00	-	1
14	DAMPER UNIT	FUN015-03	1	-
		FUN015-08	-	1
15	REMOTE SPEED LOCK ASSY	FKE310-10	1	1