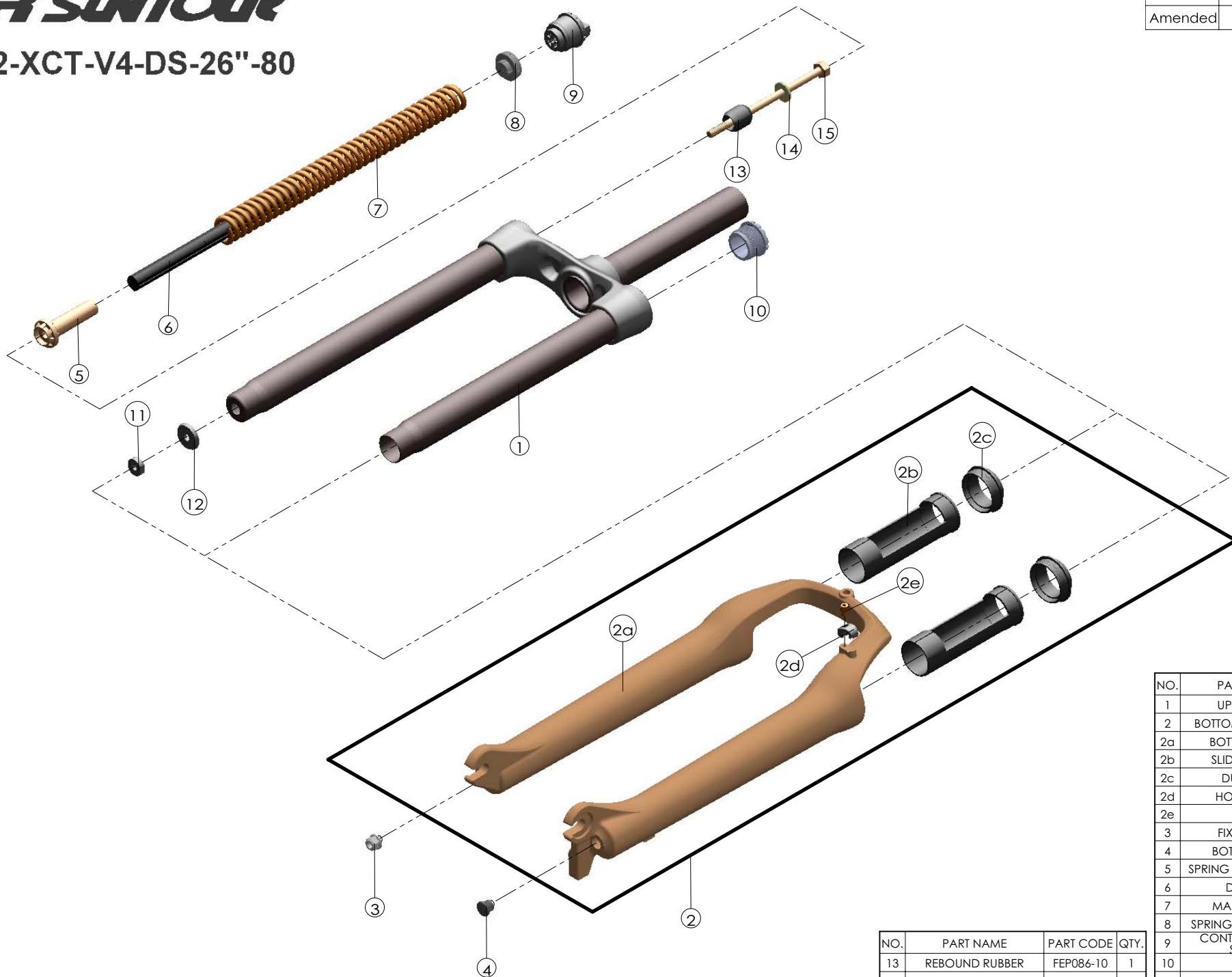


| | | | |
|---------|-----------|---------|---|
| Date | 2011.3.18 | Version | 1 |
| Amended | | | |



| NO. | PART NAME | PART CODE | QTY. |
|-----|----------------|-----------|------|
| 13 | REBOUND RUBBER | FEP086-10 | 1 |
| 14 | WASHER | FSW003 | 1 |
| 15 | FIXING BOLT | FSB107-10 | 1 |

| NO. | PART NAME | PART CODE | QTY. |
|-----|-----------------------|-----------|------|
| 1 | UPPER ASSY | FKE351-11 | 1 |
| 2 | BOTTOM CASE ASSY | FKE412 | 1 |
| 2a | BOTTOM CASE | FPB316 | 1 |
| 2b | SLIDER SLEEVE | FEE942 | 2 |
| 2c | DUST SEAL | FAA125-40 | 2 |
| 2d | HOSE GUIDE | FEE797 | 1 |
| 2e | BOLT | FSB153 | 1 |
| 3 | FIXING NUT | FSN023 | 1 |
| 4 | BOTTOM CAP | FEE795 | 1 |
| 5 | SPRING GUIDE LOWER | FEE502-20 | 1 |
| 6 | DAMPER | FEP131-06 | 1 |
| 7 | MAIN SPRING | FEP350-30 | 1 |
| 8 | SPRING GUIDE UPPER | FEE389-30 | 1 |
| 9 | CONTROL ADJUST SYSTEM | FKE008-11 | 1 |
| 10 | CAP | FEE830 | 1 |
| 11 | NUT PLATE | FSN025 | 1 |
| 12 | BOTTOM STOPPER | FEE465 | 1 |