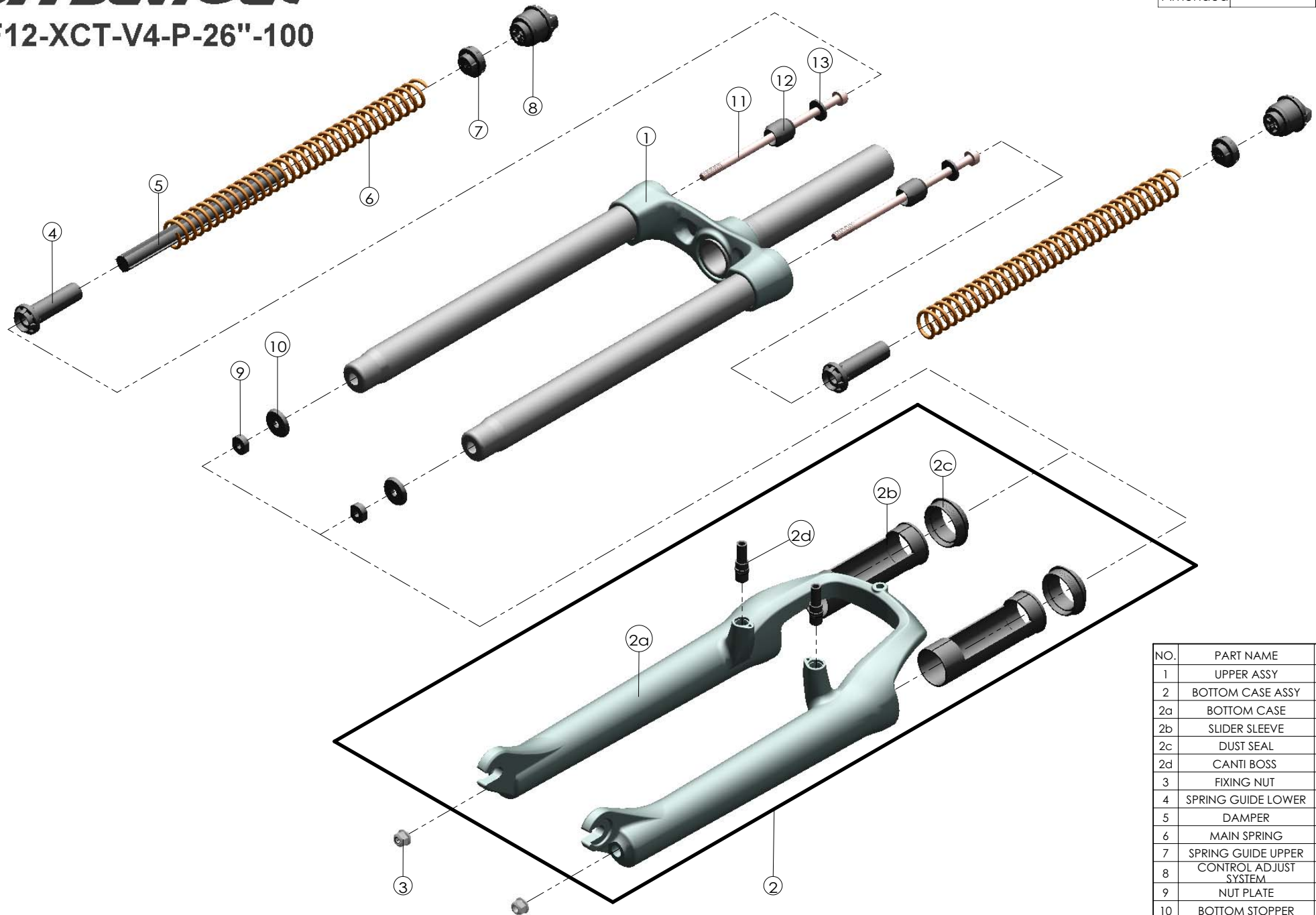


Date	2011.3.18	Version	1
Amended			



NO.	PART NAME	PART CODE	QTY.
1	UPPER ASSY	FKE351-10	1
2	BOTTOM CASE ASSY	FKE413	1
2a	BOTTOM CASE	FPB320	1
2b	SLIDER SLEEVE	FEE942	2
2c	DUST SEAL	FAA125-40	2
2d	CANTI BOSS	FSB241-16	2
3	FIXING NUT	FSN023	2
4	SPRING GUIDE LOWER	FEE502-30	2
5	DAMPER	FEP262-20	1
6	MAIN SPRING	FEP400	2
7	SPRING GUIDE UPPER	FEE389-40	2
8	CONTROL ADJUST SYSTEM	FKE008-11	2
9	NUT PLATE	FSN025	2
10	BOTTOM STOPPER	FEE465	2
11	FIXING BOLT	FSB067-70	2
12	REBOUND RUBBER	FEP086-10	2
13	WASHER	FSW003	2