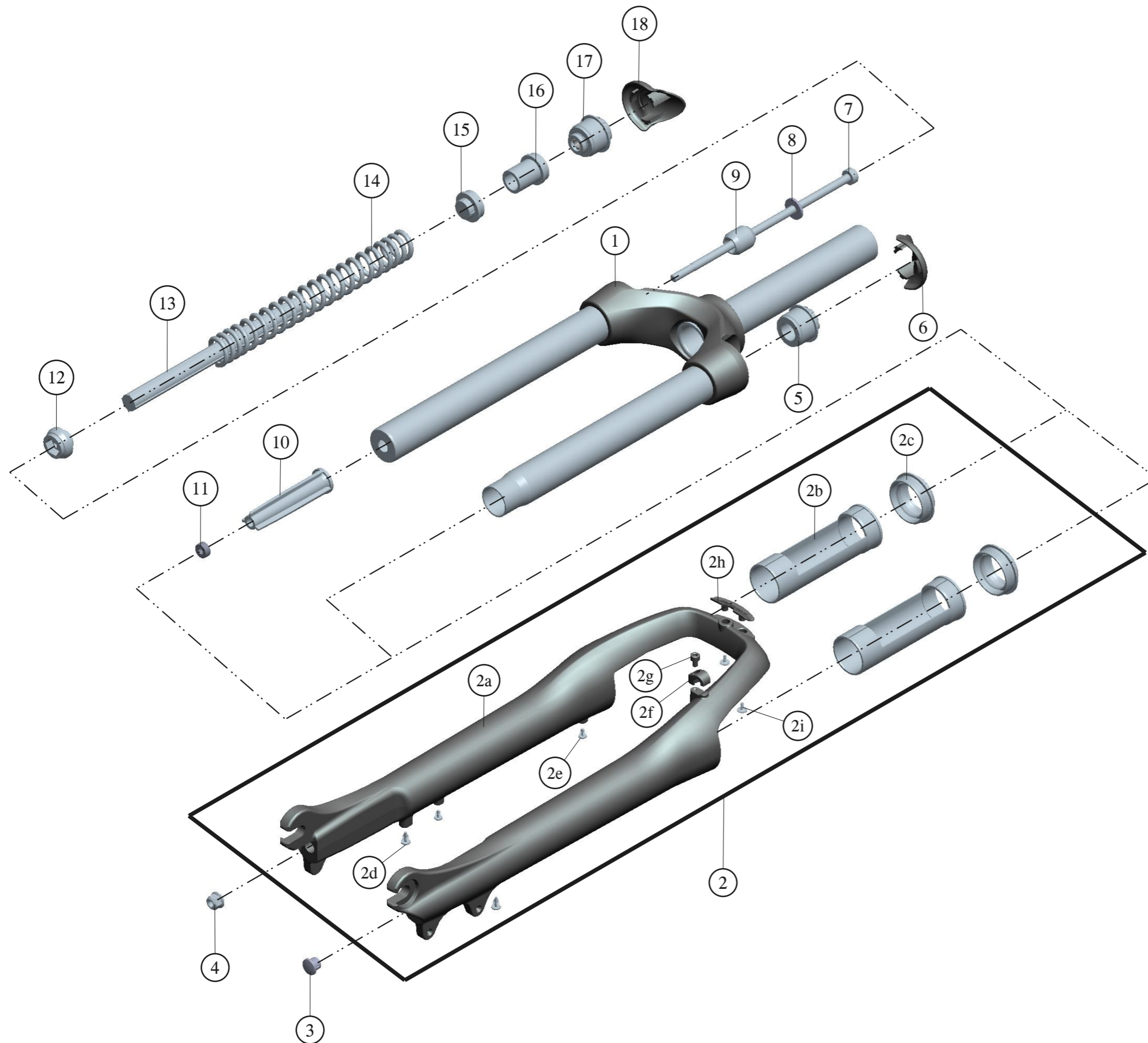


Date	2013.7.5	Version	1
Amended			



NO.	PART NAME	PART CODE	QTY.
1	UPPER ASSY	FKZ024-01	1
2	BOTTOM CASE ASSY	FKE415	1
2a	BOTTOM CASE	FPB322	1
2b	SLIDER SLEEVE	FEE942	2
2c	DUST SEAL	FAA125-40	2
2d	MOUNT CAP	FAA199	2
2e	MOUNT CAP	FAA199-10	2
2f	HOSE GUIDE	FEE797	1
2g	FIXING BOLT	FSB153	1
2h	FRACE COVER	FEE716	1
2i	TAPPING SCREW	FSB114-20	2
3	BOTTOM CAP	FEE795	1
4	FIXING NUT	FSN023	1
5	FIXING CAP	FEE810-40	1
6	PRELOAD COVER L	FEG113	1
7	FIXING BOLTL	FSB067-80	1
8	WASHER	FSW003	1
9	RIBOUND RUBBER	FEP086-10	1
10	BOTTOM STOPPER	FEG045	1
11	NRT PLATE	FSN025-10	1
12	SPRING GUIDE	FEE468-10	1
13	DAMPER	FEP262-50	1
14	MAIN SPRING	FEP417	1
15	SPRING GUIDE	FEE467-10	1
16	SPRING GUIDE SPACER	FEG033	1
17	ADJUST SYSTEM	FKE213-00	1
18	PRELOAD COVER R	FEG133	1