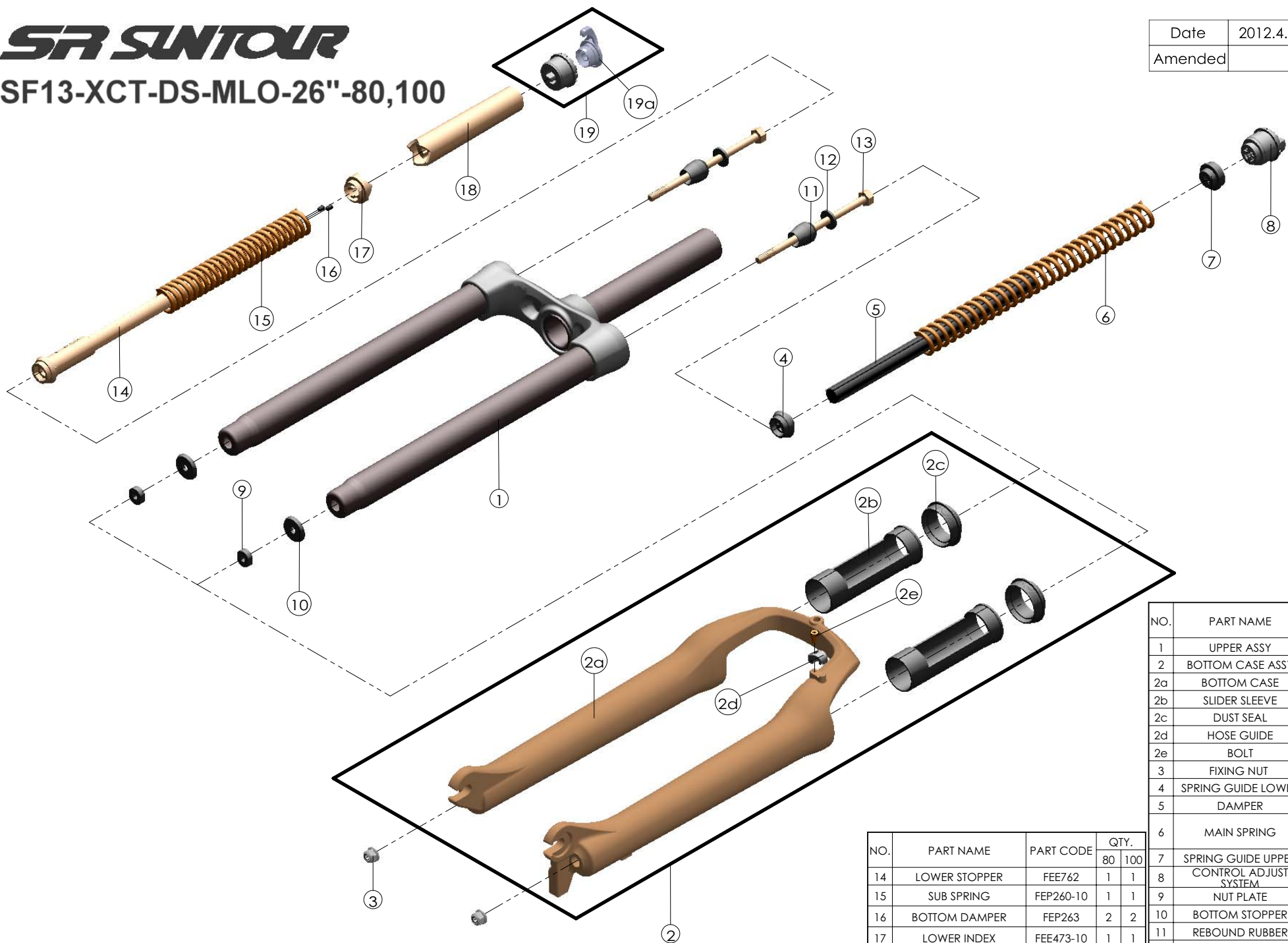


Date	2012.4.14	Version	1
Amended			



NO.	PART NAME	PART CODE	QTY.	
			80	100
14	LOWER STOPPER	FEE762	1	1
15	SUB SPRING	FEP260-10	1	1
16	BOTTOM DAMPER	FEP263	2	2
17	LOWER INDEX	FEE473-10	1	1
18	UPPER STOPPER	FEE463-10	1	1
19	MLO TOP CAP ASSY	FKE078-04	1	1
19a	MLO KNOB	FEE493-20	1	1

NO.	PART NAME	PART CODE	QTY.		
			80	100	
1	UPPER ASSY	FKE351-20	1	1	
2	BOTTOM CASE ASSY	FKE412	1	1	
2a	BOTTOM CASE	FPB316	1	1	
2b	SLIDER SLEEVE	FEE942	2	2	
2c	DUST SEAL	FAA125-40	2	2	
2d	HOSE GUIDE	FEE797	1	1	
2e	BOLT	FSB153	1	1	
3	FIXING NUT	FSN023	2	2	
4	SPRING GUIDE LOWER	FEE468-10	1	1	
5	DAMPER	FEP262-10	1	1	
6	MAIN SPRING	FEP289-30	1	-	
		FEP261-30	-	1	
7	SPRING GUIDE UPPER	FEE467-10	1	1	
8	CONTROL ADJUST SYSTEM	FKE008-11	1	1	
9	NUT PLATE	FSN025	2	2	
10	BOTTOM STOPPER	FEE465	2	2	
11	REBOUND RUBBER	FEP086-10	2	2	
12	WASHER	FSW003	2	2	
		FIXING BOLT	FSB107-10	2	-
		FIXING BOLT L	FSB067-70	-	1
13	FIXING BOLT R	FSB107	-	1	