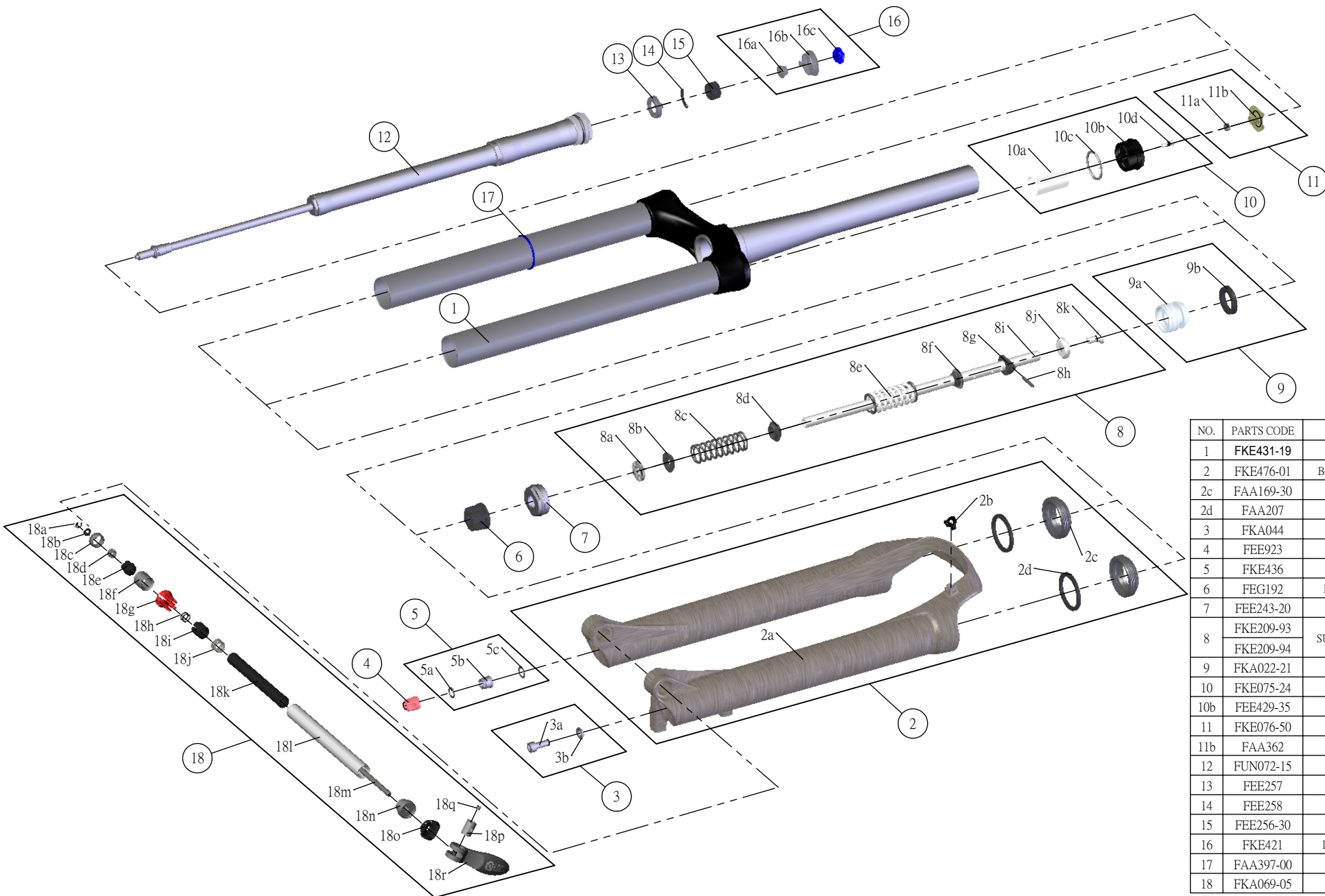


SR SUNTOUR

SF14-EPICON-TR-DS-LO-RC-15QLC-CTS-27.5-

Date	2014.02.06	Version	1
Amended			



NO.	PARTS CODE	PARTS NAME	140	130	QT
1	FKE431-19	UPPER ASSY	*	*	1
2	FKE476-01	BOTTOM CASE ASSY	*	*	1
2c	FAA169-30	DUST SEAL	*	*	2
2d	FAA207	OIL WIPER 32	*	*	2
3	FKA044	FIXING BOLT SET	*	*	1
4	FEE923	REBOUND KNOB	*	*	1
5	FKE436	FIXING NUT SET	*	*	1
6	FEG192	BOTTOM STOPPER	*	*	1
7	FEE243-20	FORK NOSE	*	*	1
8	FKE209-93	SUPPORT TUBE ASSY	*	*	1
	FKE209-94		*	*	1
9	FKA022-21	PISTON UNIT	*	*	1
10	FKE075-24	AIR CAP ASSY	*	*	1
10b	FEE429-35	AIR CAP	*	*	1
11	FKE076-50	VALVE CAP ASSY	*	*	1
11b	FAA362	VALVE CAP	*	*	1
12	FUN072-15	LO-RC UNIT	*	*	1
13	FEE257	CLICK HOLDER	*	*	1
14	FEE258	ADJUST CLICK	*	*	1
15	FEE256-30	ADJUST CORE	*	*	1
16	FKE421	LO-RC KNOB ASSY	*	*	1
17	FAA397-00	O RING	*	*	1
18	FKA069-05	QLC15 AXLE SET	*	*	1