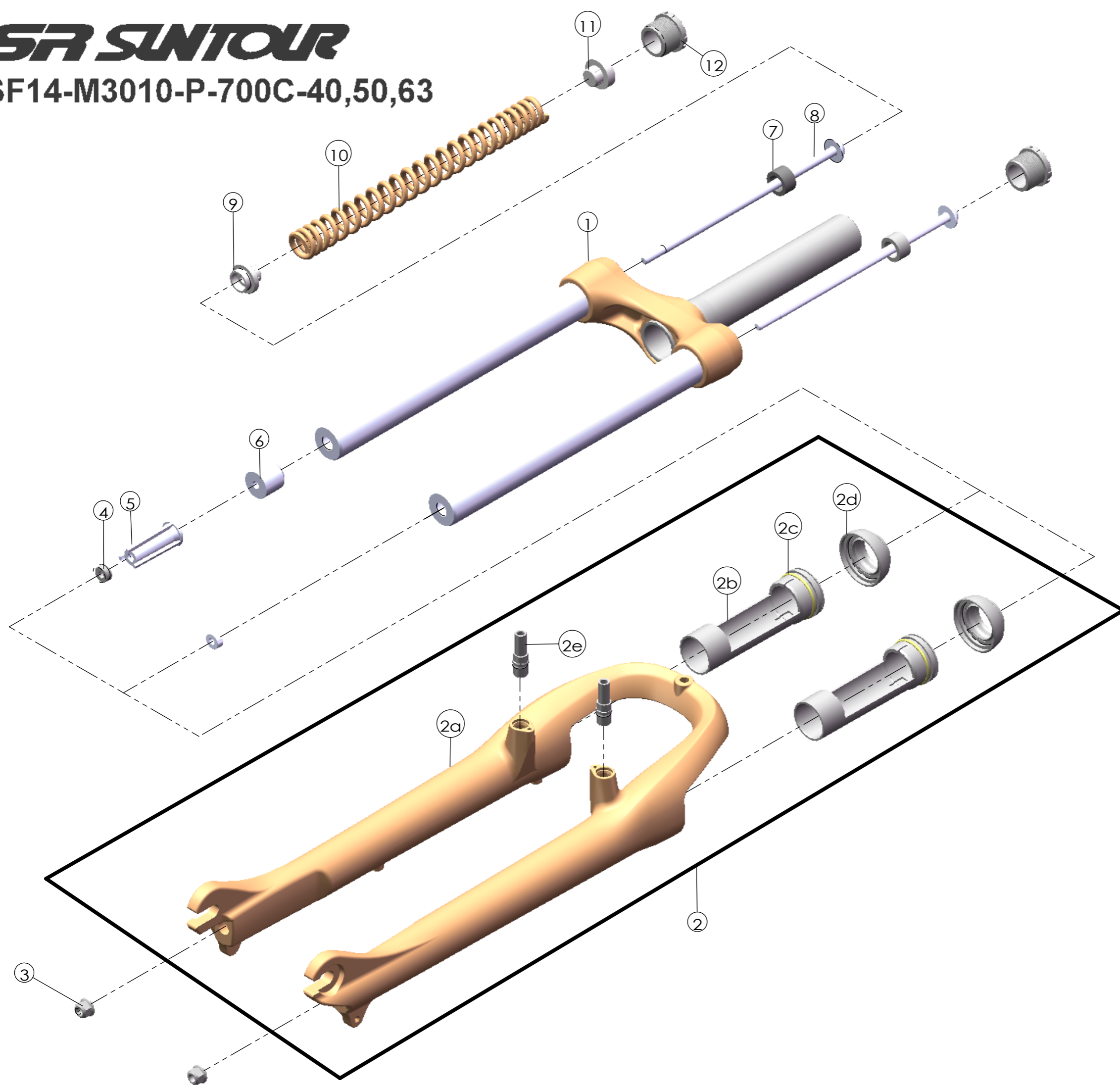


# SF SUNTOUR

## SF14-M3010-P-700C-40,50,63

Date	2013.5.15	Version	2
Amended	2018.8.30		



NO.	PART NAME	PART CODE	QTY.		
			40	50	63
1	UPPER ASSY	FKE343-40	1	1	1
2	BOTTOM CASE ASSY	FKZ035-10	1	1	1
2a	BOTTOM CASE	FPB359-AA	1	1	1
2b	SLIDER SLEEVE	FEE475	2	2	2
2c	O RING	FAA188	2	2	2
2d	DUST SEAL	FAA123	2	2	2
2e	CANTI BOSS	FSB241-16	2	2	2
3	FIXING NUT	FSN023	2	2	2
4	NUT PLATE	FSN025-10	2	2	2
5	BOTTOM STOPPER	FEE834	1	1	1
6	DAMPER	FEP065-08	1	-	-
		FEP065	-	1	1
7	REBOUND RUBBER	FEP695	2	2	2
8	FIXING BOLT	FSB171-12	2	-	-
		FSB171-10	-	2	-
		FSB159-00	-	-	2
9	SPRING GUIDE	FEE385-80	1	1	1
10	MAIN SPRING	FEP696	1	-	-
		FEP697	-	1	-
		FEP698	-	-	1
11	SPRING GUIDE	FEE196-10	1	1	1
12	FIXING CAP	FEE675	2	2	2