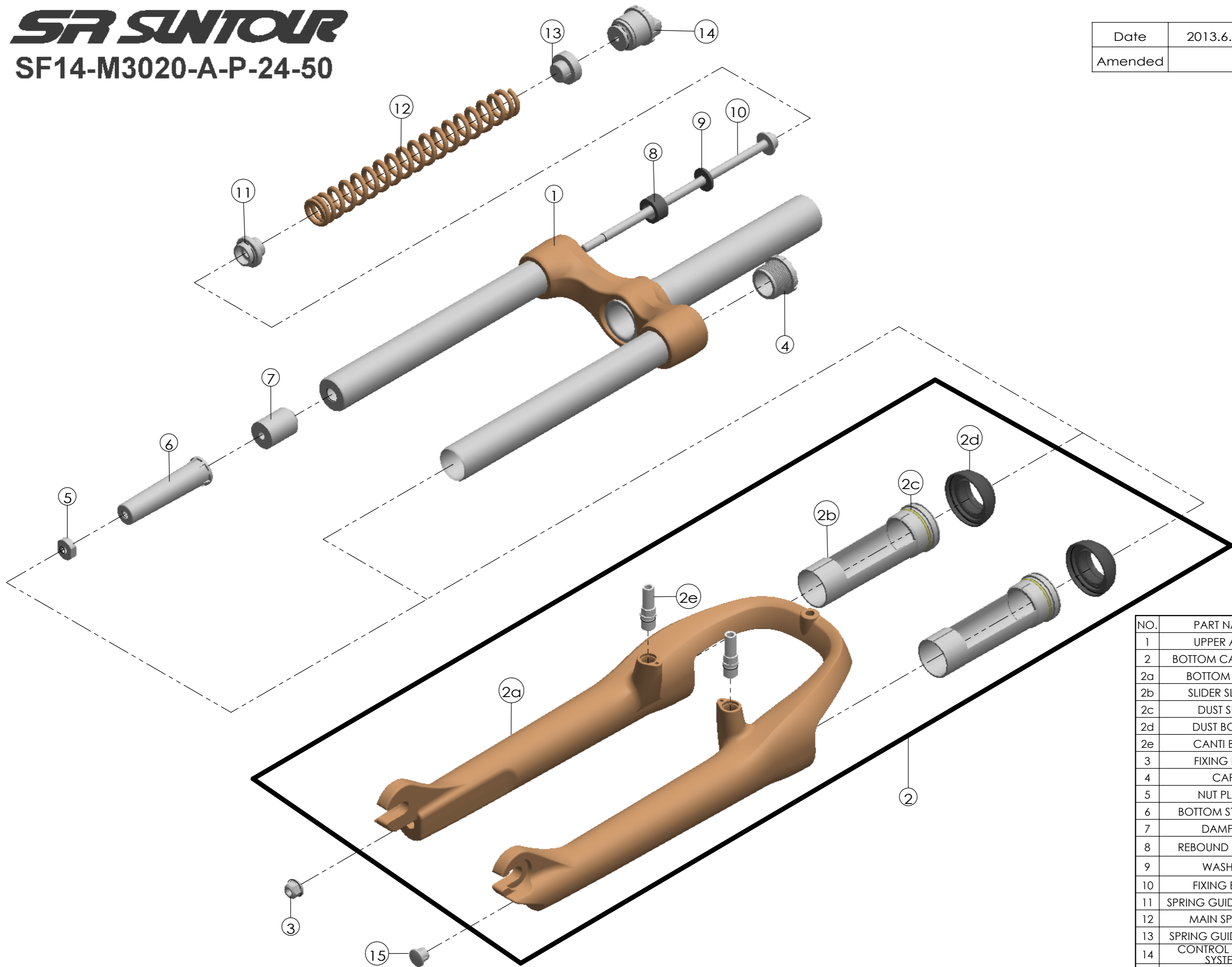


SUNTOUR

SF14-M3020-A-P-24-50

Date	2013.6.1	Version	1
Amended			



NO.	PART NAME	PART CODE	QTY.
1	UPPER ASSY	FKZ012-01	1
2	BOTTOM CASE ASSY	FKZ048-10	1
2a	BOTTOM CASE	FPB371	1
2b	SLIDER SLEEVE	FEE475	2
2c	DUST SEAL	FAA188	2
2d	DUST BOOTS	FAA123	2
2e	CANTI BOSS	FSB241-16	2
3	FIXING NUT	FSN023	1
4	CAP	FEE675	1
5	NUT PLATE	FSN025	1
6	BOTTOM STOPPER	FEE451	1
7	DAMPER	FEP065-01	1
8	REBOUND RUBBER	FEP066	1
9	WASHER	FSW003	1
10	FIXING BOLT	FSB159-04	1
11	SPRING GUIDE LOWER	FEE385-40	1
12	MAIN SPRING	FEP619	1
13	SPRING GUIDE UPPER	FEE196-20	1
14	CONTROL ADJUST SYSTEM	FKE007-11	1
15	BOTTOM CAP	FEE795	1