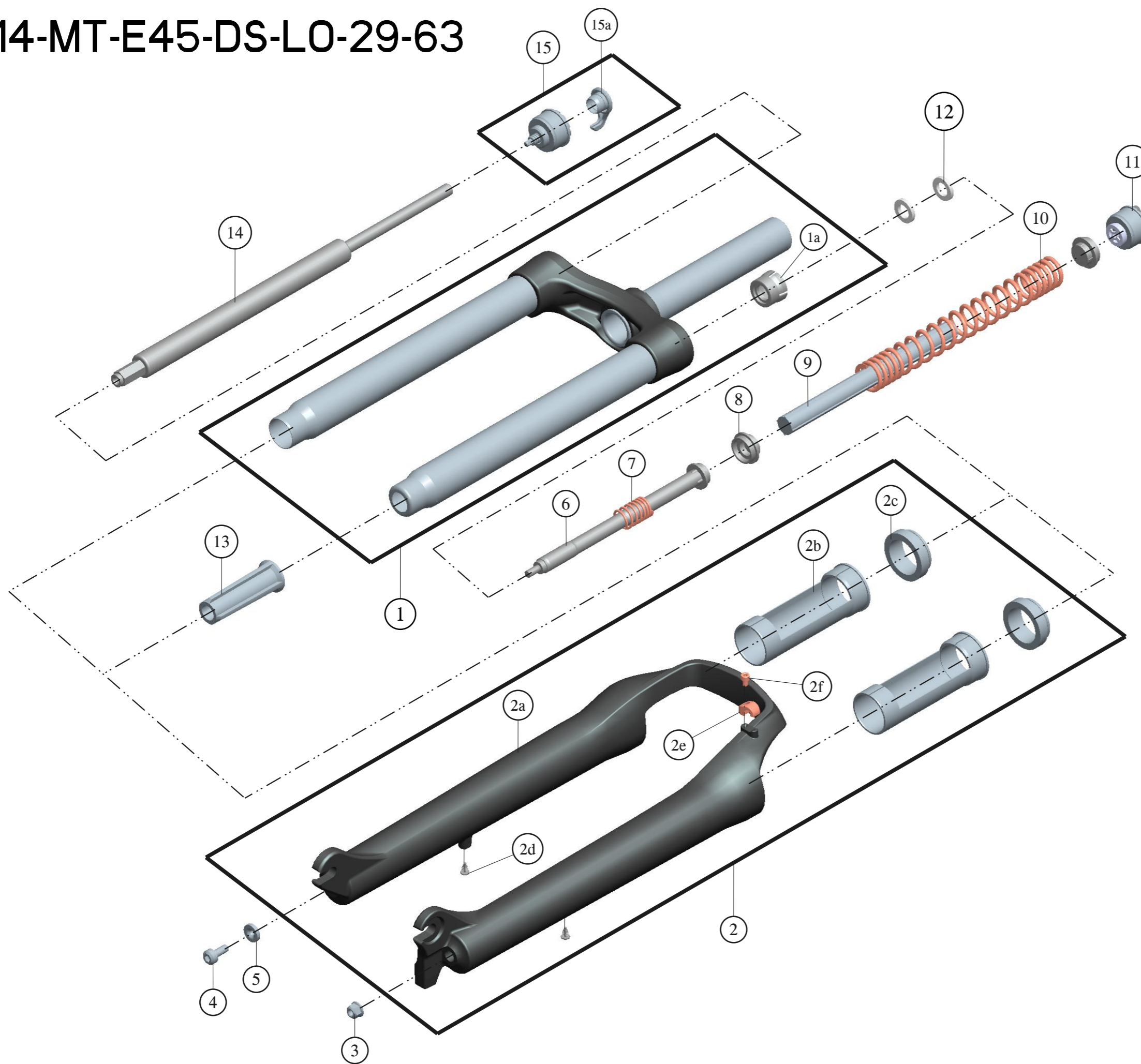


Date	2013.5.18	Version	1
Amended			



NO.	PART NAME	PART CODE	QTY.
1	UPPER ASSY	FKZ019-01	1
1a	FORK NOSE	FEE805	1
2	BOTTOM CASE ASSY	FKZ020-10	1
2a	BOTTOM CASE	FPB337	1
2b	SLIDER SLEEVE	FEG137	2
2c	DUST SEAL	FAA169-20	2
2d	MOUNT CAP	FAA199	2
2e	HOSE GUIDE	FEE797	1
2f	FIXING BOLT	FSB153	1
3	FIXING NUT	FSN023	2
4	FIXING BOLT	FSB070	1
5	WASHER	FSW025	1
6	SUPPORT TUBE	FEE800	1
7	REBOUND SPRING	FEP189-20	1
8	SPRING GUIDE	FEE434-10	2
9	DAMPER	FEP320-10	1
10	MAIN SPRING	FEP636	1
11	ADJUST SYSTEM	FKE009-21	1
12	REBOUND RUBBER	FEP053	2
13	BOTTOM STOPPER	FEE959-00	1
14	DAMPER UNIT	FUN006-27	1
15	LO ADJUST SYSTEM	FKE028-36	1
15a	LO KNOB	FEE288-20	1