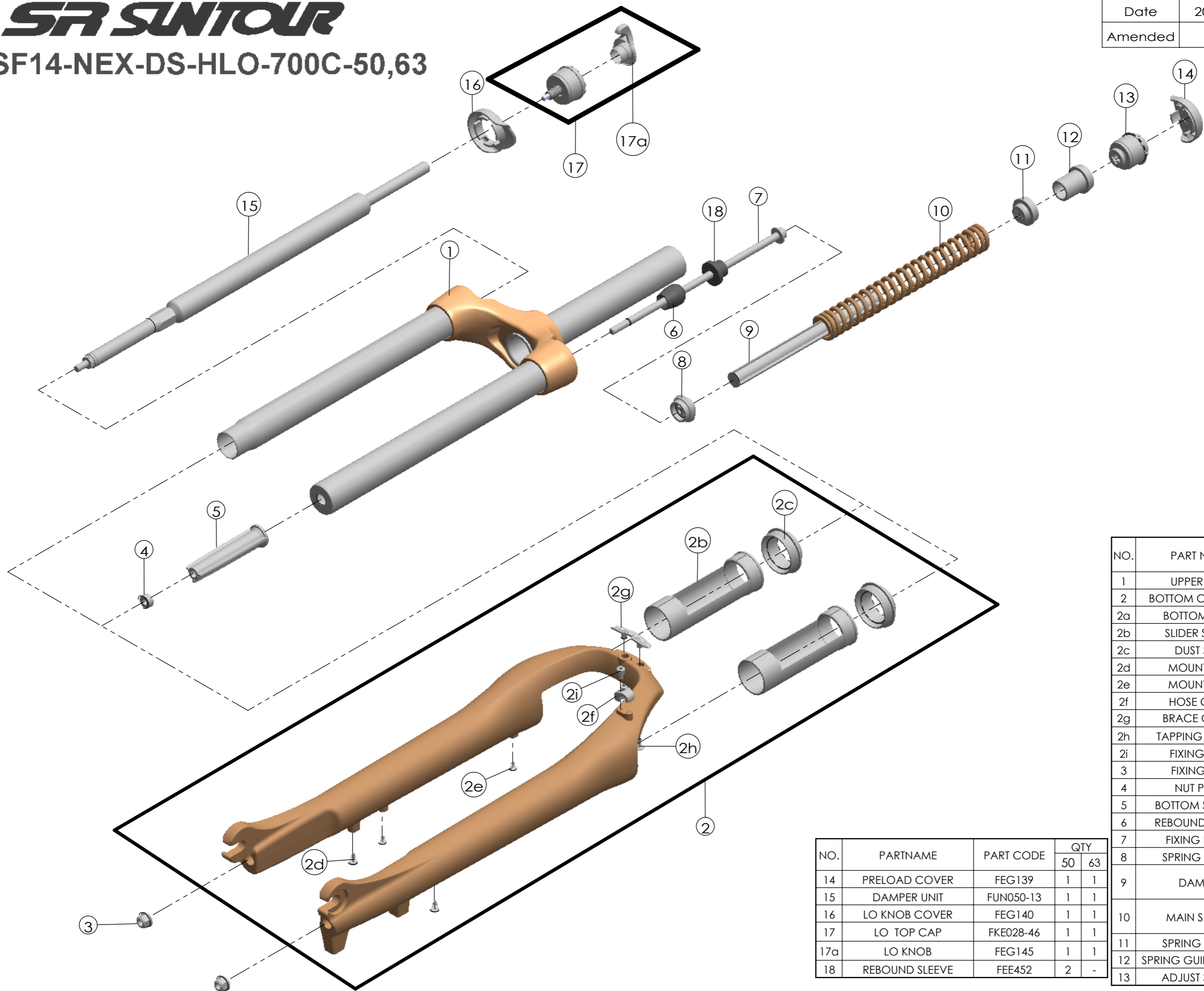


Date	2013.5.13	Version	1
Amended			



NO.	PART NAME	PART CODE	QTY.	
			50	63
1	UPPER ASSY	FKZ022-03	1	1
2	BOTTOM CASE ASSY	FKZ032-10	1	1
2a	BOTTOM CASE	FPB366	1	1
2b	SLIDER SLEEVE	FEE942	2	2
2c	DUST SEAL	FAA125-40	2	2
2d	MOUNT CAP	FAA199	2	2
2e	MOUNT CAP	FAA199-10	2	2
2f	HOSE GUIDE	FEE797	1	1
2g	BRACE COVER	FEE716	1	1
2h	TAPPING SCREW	FSB114-20	2	2
2i	FIXING BOLT	FSB153	1	1
3	FIXING NUT	FSN023	2	2
4	NUT PLATE	FSN025-10	1	1
5	BOTTOM STOPPER	FEG178	1	1
6	REBOUND RUBBER	FEP086-10	1	1
7	FIXING BOLT L	FSB159-06	1	1
8	SPRING GUIDE	FEE468-10	1	1
9	DAMPER	FEP262-95	1	-
		FEP262-50	-	1
10	MAIN SPRING	FEP451	1	-
		FEP450	-	1
11	SPRING GUIDE	FEE467-10	1	1
12	SPRING GUIDE SPACER	FEG033	1	1
13	ADJUST SYSTEM	FKE213-00	1	1

NO.	PARTNAME	PART CODE	QTY	
			50	63
14	PRELOAD COVER	FEG139	1	1
15	DAMPER UNIT	FUN050-13	1	1
16	LO KNOB COVER	FEG140	1	1
17	LO TOP CAP	FKE028-46	1	1
17a	LO KNOB	FEG145	1	1
18	REBOUND SLEEVE	FEE452	2	-