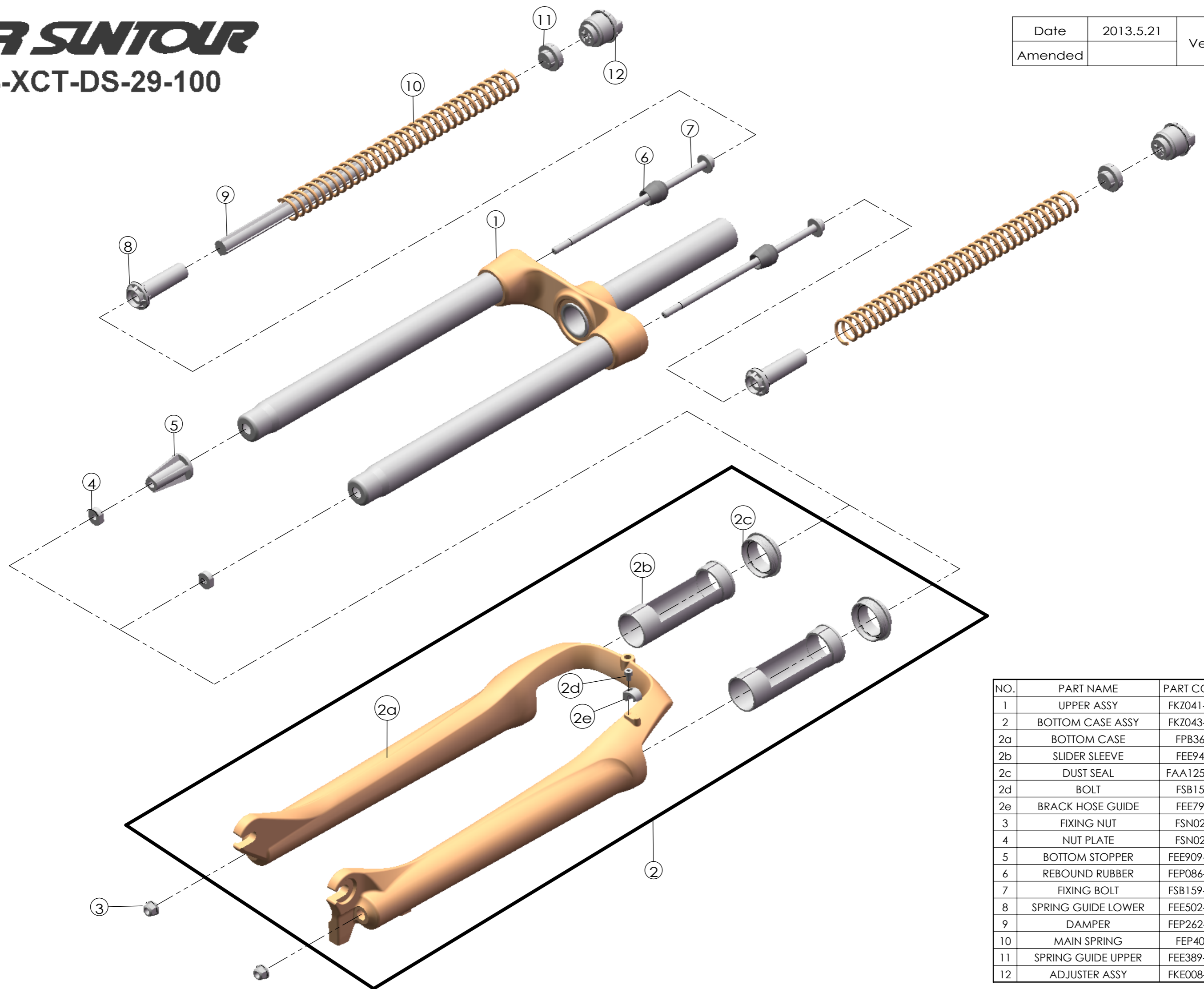


SUNTOUR

SF14-XCT-DS-29-100

Date	2013.5.21	Version	1
Amended			



NO.	PART NAME	PART CODE	QTY.
1	UPPER ASSY	FKZ041-02	1
2	BOTTOM CASE ASSY	FKZ043-10	1
2a	BOTTOM CASE	FPB365	1
2b	SLIDER SLEEVE	FEE942	2
2c	DUST SEAL	FAA125-40	2
2d	BOLT	FSB153	1
2e	BRACK HOSE GUIDE	FEE797	1
3	FIXING NUT	FSN023	2
4	NUT PLATE	FSN025	2
5	BOTTOM STOPPER	FEE909-00	1
6	REBOUND RUBBER	FEP086-10	2
7	FIXING BOLT	FSB159-03	2
8	SPRING GUIDE LOWER	FEE502-30	2
9	DAMPER	FEP262-20	1
10	MAIN SPRING	FEP400	2
11	SPRING GUIDE UPPER	FEE389-40	2
12	ADJUSTER ASSY	FKE008-11	2