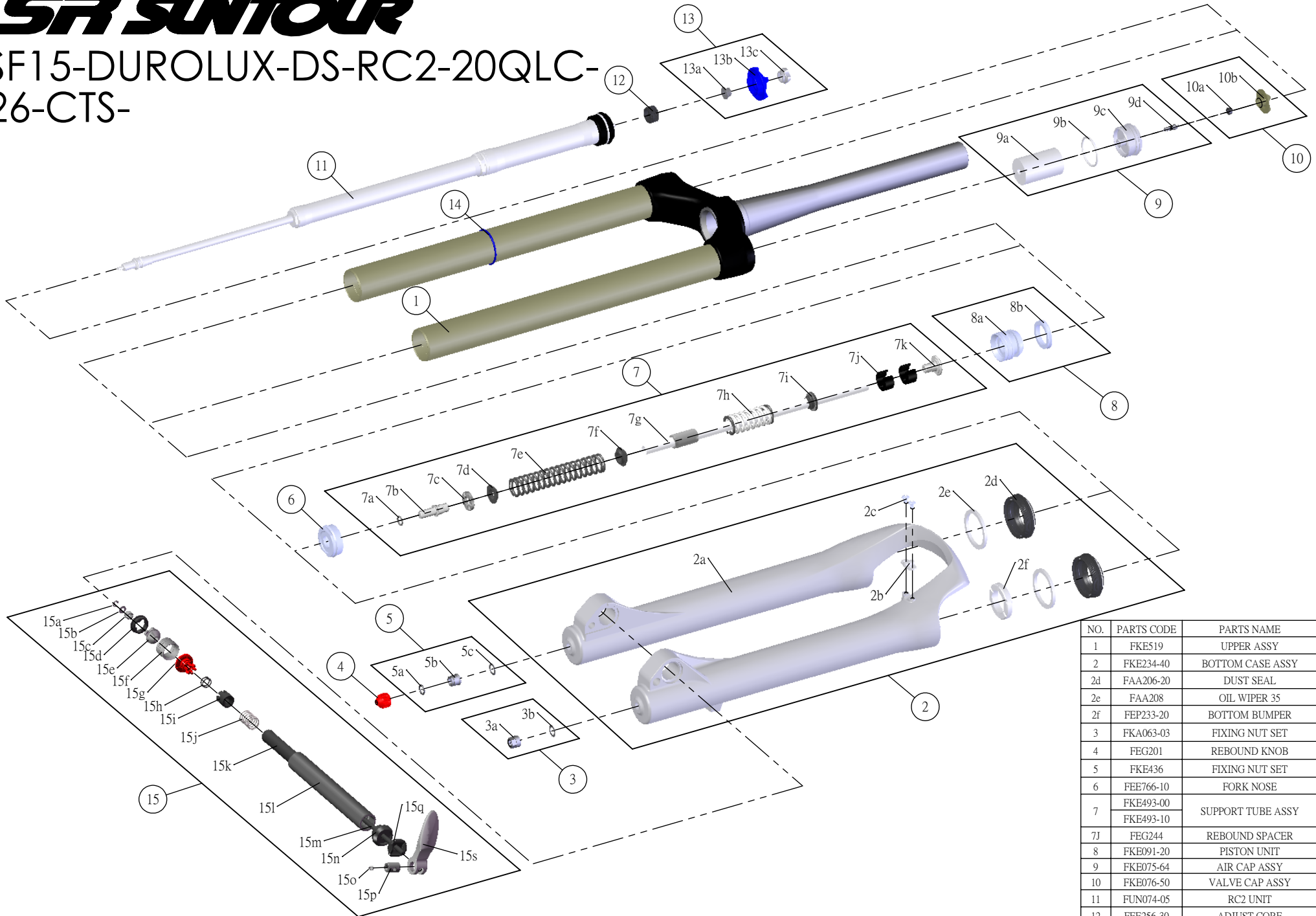


SF SUNTOUR

SF15-DUROLUX-DS-RC2-20QLC-
26-CTS-

Date	2014.02.17	Version	1
Amended			



NO.	PARTS CODE	PARTS NAME	160	180	QT
1	FKE519	UPPER ASSY	*	*	1
2	FKE234-40	BOTTOM CASE ASSY	*	*	1
2d	FAA206-20	DUST SEAL	*	*	2
2e	FAA208	OIL WIPER 35	*	*	2
2f	FEP233-20	BOTTOM BUMPER	*	*	1
3	FKA063-03	FIXING NUT SET	*	*	1
4	FEG201	REBOUND KNOB	*	*	1
5	FKE436	FIXING NUT SET	*	*	1
6	FEE766-10	FORK NOSE	*	*	1
7	FKE493-00	SUPPORT TUBE ASSY		*	1
	FKE493-10		*		1
7j	FEG244	REBOUND SPACER	*		2
8	FKE091-20	PISTON UNIT	*	*	1
9	FKE075-64	AIR CAP ASSY	*	*	1
10	FKE076-50	VALVE CAP ASSY	*	*	1
11	FUN074-05	RC2 UNIT	*	*	1
12	FEE256-30	ADJUST CORE	*	*	1
13	FKE427	RC2 ADJUSTER ASSY	*	*	1
14	FAA397-10	O RING	*	*	1
15	FKA068-05	QLC20 AXLE SET	*	*	1