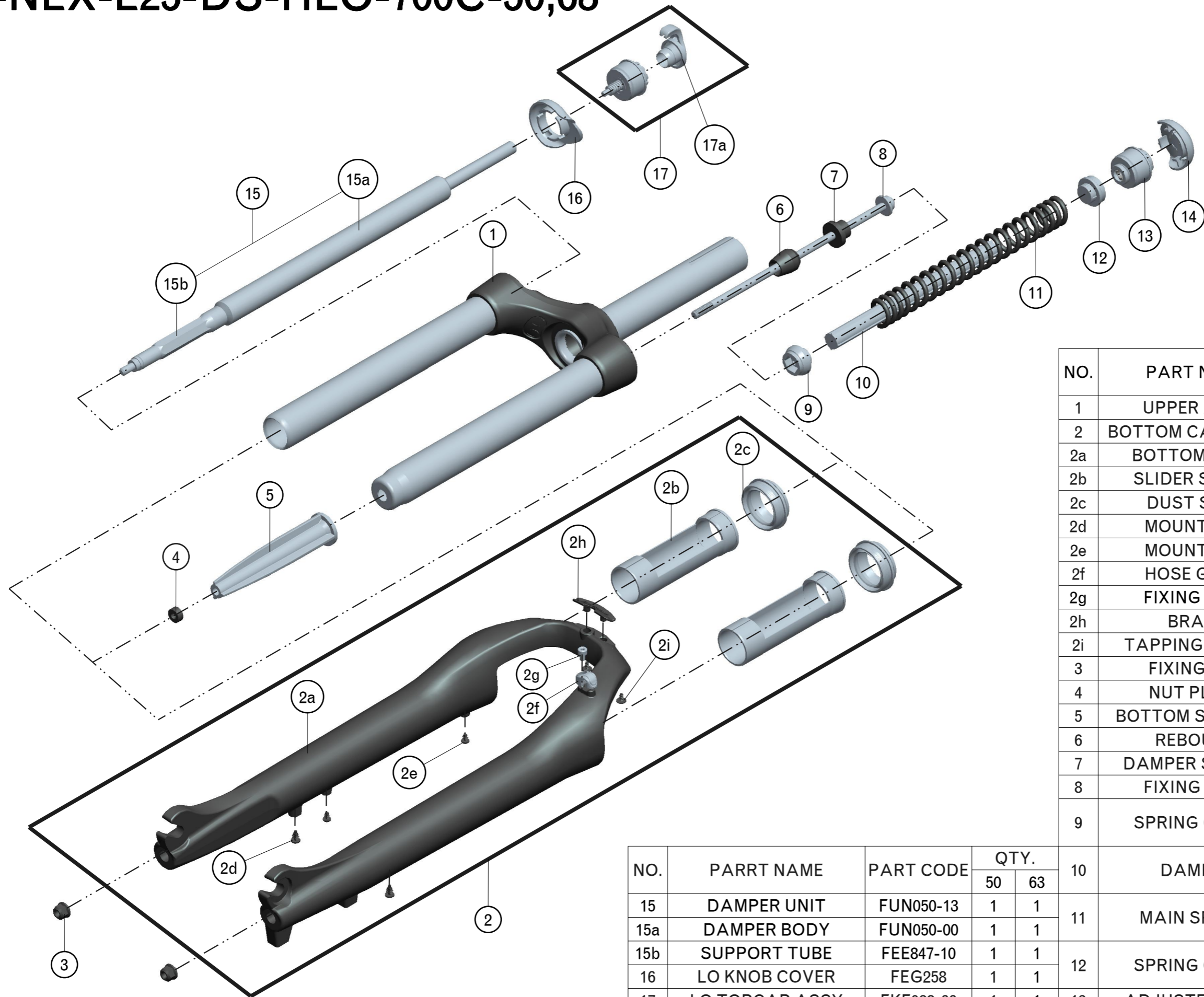


Date	2014.11.20	Version	2
Amended	2019.4.16		



NO.	PART NAME	PART CODE	QTY.	
			50	63
1	UPPER ASSY	FKZ071-01	1	1
2	BOTTOM CASE ASSY	FKZ075-10	1	1
2a	BOTTOM CASE	FPB404	1	1
2b	SLIDER SLEEVE	FEE785	2	2
2c	DUST SEAL	FAA070-10	2	2
2d	MOUNT CAP	FAA199	2	2
2e	MOUNT CAP	FAA199-10	2	2
2f	HOSE GUIDE	FEG166	1	1
2g	FIXING BOLT	FSB153	1	1
2h	BRACE	FEE716	1	1
2i	TAPPING SCREW	FSB114-20	2	2
3	FIXING NUT	FSN023	2	2
4	NUT PLATE	FSN025-10	1	1
5	BOTTOM STOPPER	FEG245	1	1
6	REBOUND	FEP086-10	1	1
7	DAMPER SPACER	FEE452	1	-
8	FIXING BOLT	FSB159-09	1	1
9	SPRING GUIDE	FEE593-10	1	-
		FEG254	-	1
10	DAMPER	FEP322-20	1	-
		FEP262-95	-	1
11	MAIN SPRING	FEP694	1	-
		FEP693	-	1
12	SPRING GUIDE	FEE592-10	1	-
		FEG253	-	1
13	ADJUSTER ASSY	FKE213-12	1	1
14	PRELOAD COVER	FEG259	1	1

NO.	PART NAME	PART CODE	QTY.	
			50	63
15	DAMPER UNIT	FUN050-13	1	1
15a	DAMPER BODY	FUN050-00	1	1
15b	SUPPORT TUBE	FEE847-10	1	1
16	LO KNOB COVER	FEG258	1	1
17	LO TOPCAP ASSY	FKE028-66	1	1
17a	LO KNOB	FEG246	1	1