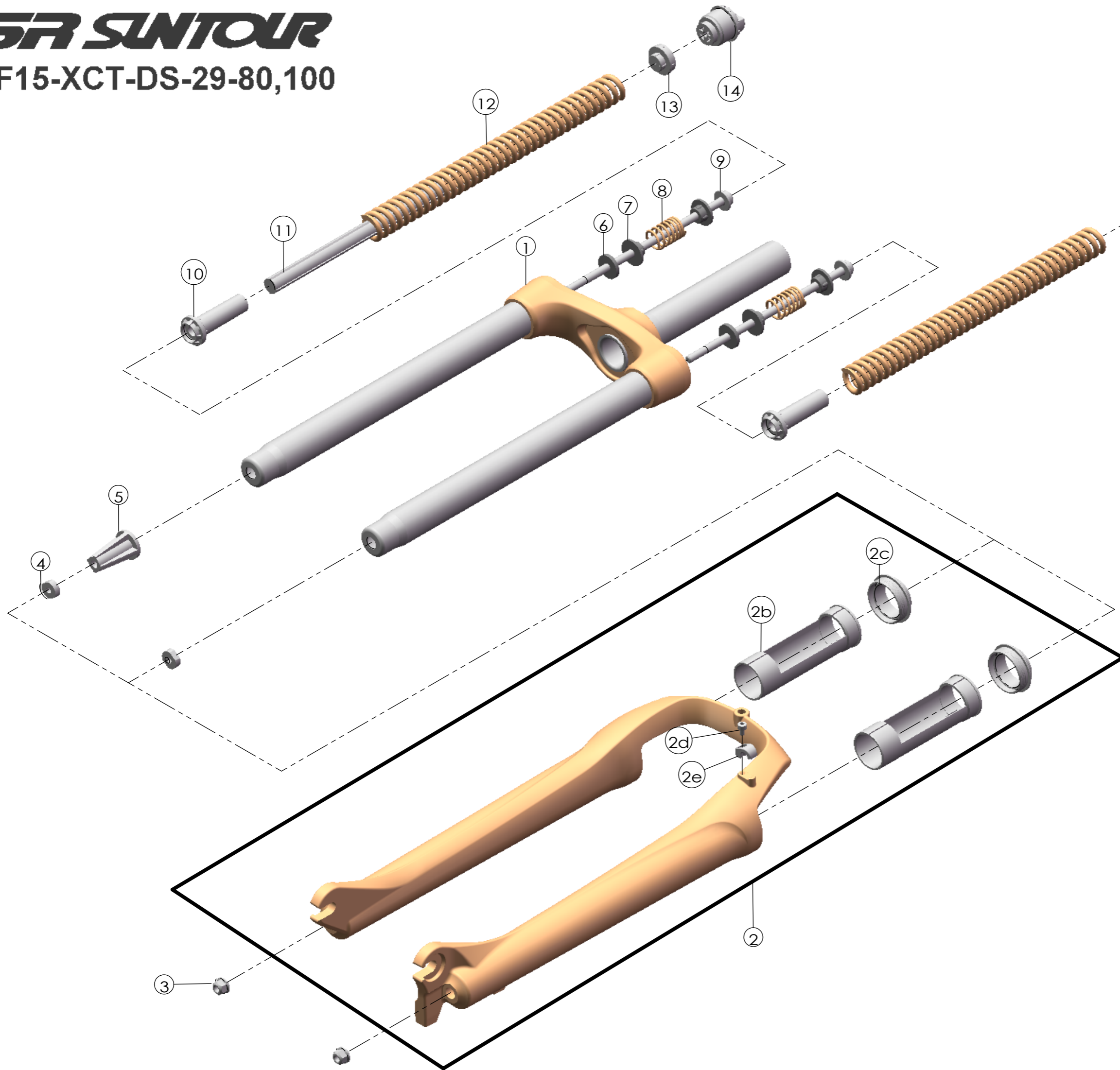


SUNTOUR

SF15-XCT-DS-29-80,100

| | | | |
|---------|-----------|---------|---|
| Date | 2014.1.17 | Version | 1 |
| Amended | | | |



| NO. | PART NAME | PART CODE | QTY. | |
|-----|----------------------|-----------|------|-----|
| | | | 80 | 100 |
| 1 | UPPER ASSY | FKZ055-01 | 1 | 1 |
| 2 | BOTTOM CASE ASSY | FKZ058-10 | 1 | 1 |
| 2a | BOTTOM CASE | FPB365 | 1 | 1 |
| 2b | SLIDER SLEEVE | FEE942 | 2 | 2 |
| 2c | DUST SEAL | FAA125-40 | 2 | 2 |
| 2d | BOLT | FSB153 | 1 | 1 |
| 2e | BRACK HOSE GUIDE | FEG166 | 1 | 1 |
| 3 | FIXING NUT | FSN023 | 2 | 2 |
| 4 | NUT PLATE | FSN025 | 2 | 2 |
| 5 | BOTTOM STOPPER | FEE909 | 1 | 1 |
| 6 | REBOUND RUBBER | FEP701 | 2 | 2 |
| 7 | REBOUND SPRING GUIDE | FEG257 | 4 | 4 |
| 8 | REBOUND SPRING | FEP058-20 | 2 | 2 |
| 9 | FIXING BOLT | FSB159-04 | 2 | - |
| | | FSB157-02 | - | 2 |
| 10 | SPRING GUIDE LOWER | FEE502-30 | 1 | 1 |
| 11 | DAMPER | FEP262-20 | 1 | 1 |
| 12 | MAIN SPRING | FEP705 | 2 | - |
| | | FEP704 | - | 2 |
| 13 | SPRING GUIDE UPPER | FEE389-40 | 2 | 2 |
| 14 | ADJUSTER ASSY | FKE008-11 | 2 | 2 |