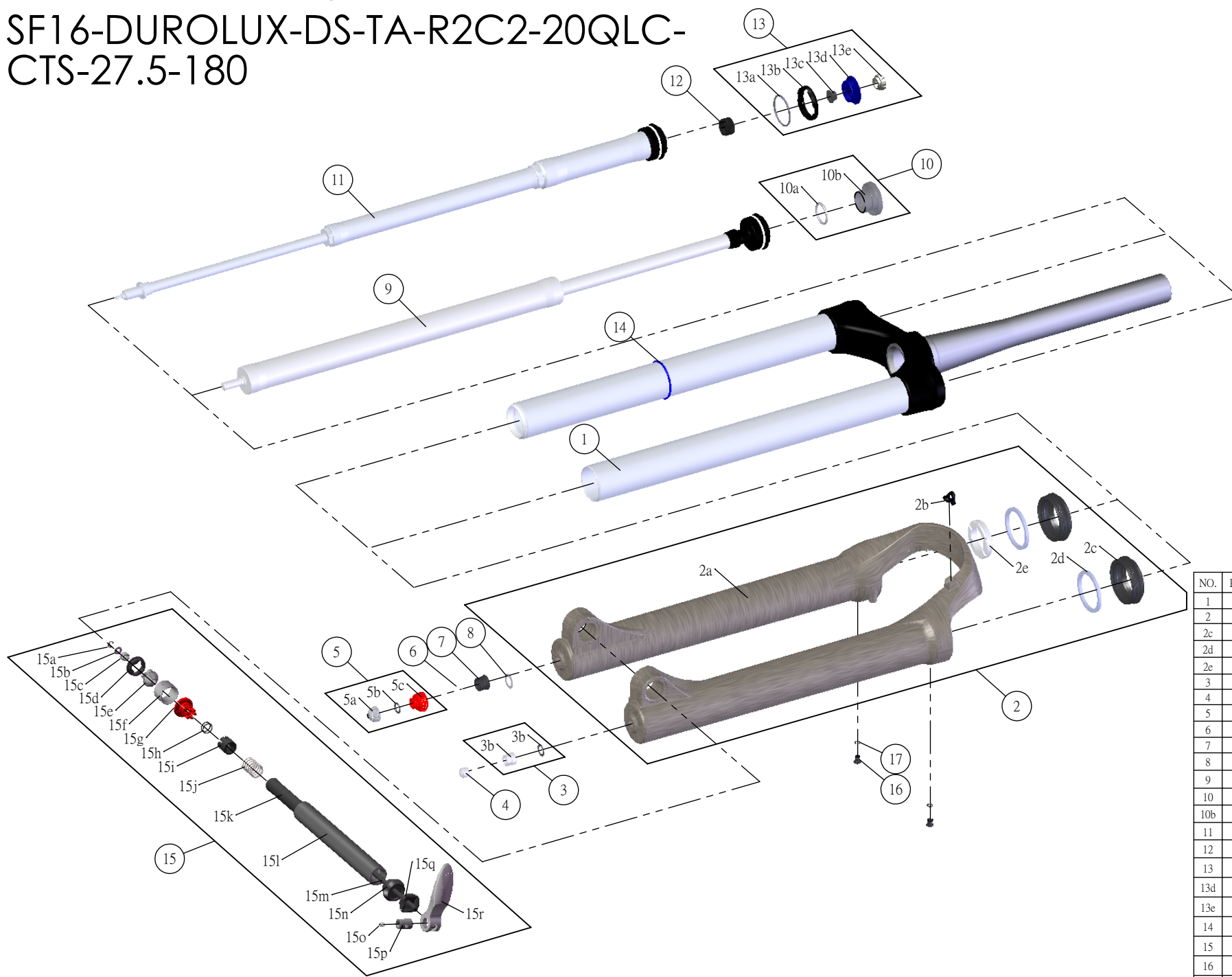


SUNTOUR

SF16-DUROLUX-DS-TA-R2C2-20QLC-
CTS-27.5-180

Date	2015.05.25	Version	1
Amended			



NO.	PARTS CODE	PARTS NAME	180	QT
1	FKE542	UPPER ASSY	*	1
2	FKE541-05	BOTTOM CASE ASSY	*	1
2c	FAA420	DUST SEAL	*	2
2d	FAA421	OIL WIPER 35	*	2
2e	FEP233-20	BOTTOM BUMPER	*	1
3	FKA063-02	FIXING NUT SET	*	1
4	FAA150	VALVE CAP	*	1
5	FKE480-02	REBOUND KNOB UNIT	*	1
6	FAA231	O RING	*	1
7	FSN071	FIXING NUT	*	1
8	FSW136	WASHER	*	1
9	FUN038-60	TA UNIT	*	1
10	FKE026-02	PUSH BUTTON ASSY	*	1
10b	FEG016-10	PUSH BUTTON	*	1
11	FUN087-85	R2C2 UNIT	*	1
12	FEE256-30	ADJUST CORE	*	1
13	FKE427-03	R2C2 ADJUSTER ASSY	*	1
13d	FEG356	ADJUST KNOB HC	*	1
13e	FEG092-10	ADJUST KNOB LC	*	1
14	FAA397-40	O RING	*	1
15	FKA068-05	QLC20 AXLE SET	*	1
16	FSB188	SEAL SCREW	*	2
17	FAA270	O RING	*	2