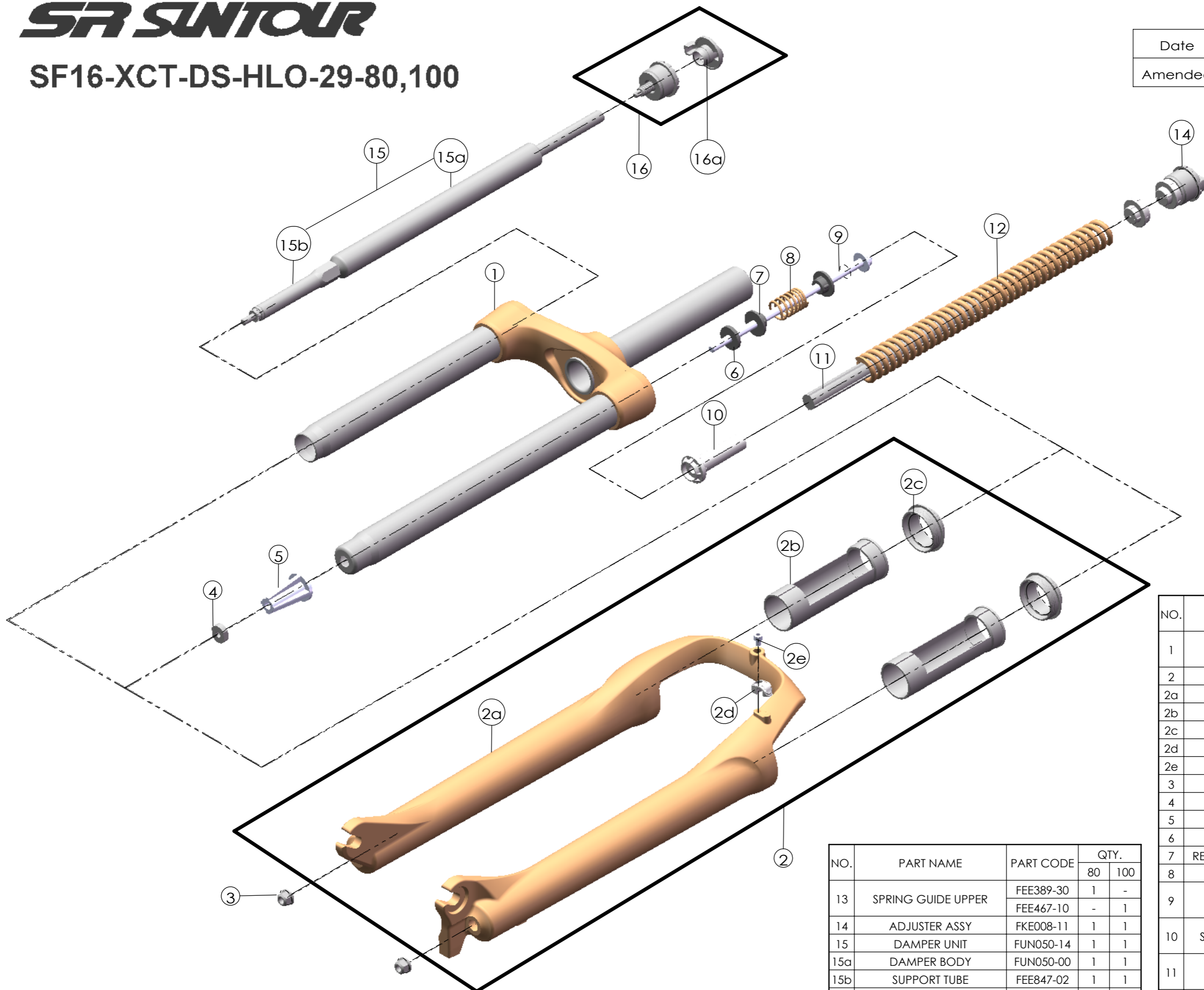


Date	2015.9.7	Version	2
Amended	2017.7.6		



NO.	PART NAME	PART CODE	QTY.	
			80	100
1	UPPER ASSY	FKZ055-02	1	-
		FKZ055-03	-	1
2	BOTTOM CASE ASSY	FKZ077-10	1	1
2a	BOTTOM CASE	FPB412	1	1
2b	SLIDER SLEEVE	FEE942	2	2
2c	DUST SEAL	FAA125-40	2	2
2d	HOSE GUIDE	FEG166	1	1
2e	BOLT	FSB153	1	1
3	FIXING NUT	FSN023	2	2
4	NUT PLATE	FSN025	1	1
5	BOTTOM STOPPER	FEE909-00	1	1
6	REBOUND RUBBER	FEP701	1	1
7	REBOUND SPRING GUIDE	FEG257	2	2
8	REBOUND SPRING	FEP189-20	1	1
9	FIXING BOLT	FSB159-04	1	-
		FSB157-02	-	1
10	SPRING GUIDE LOWER	FEE502-20	1	-
		FEE468-10	-	1
11	DAMPER	FEP131-02	1	-
		FEP262-96	-	1
12	MAIN SPRING	FEP703	1	-
		FEP702	-	1

NO.	PART NAME	PART CODE	QTY.	
			80	100
13	SPRING GUIDE UPPER	FEE389-30	1	-
		FEE467-10	-	1
14	ADJUSTER ASSY	FKE008-11	1	1
15	DAMPER UNIT	FUN050-14	1	1
15a	DAMPER BODY	FUN050-00	1	1
15b	SUPPORT TUBE	FEE847-02	1	1
16	LO ADJUST SYSTEM	FKE028-18	1	1
16a	LO KNOB	FEG426	1	1