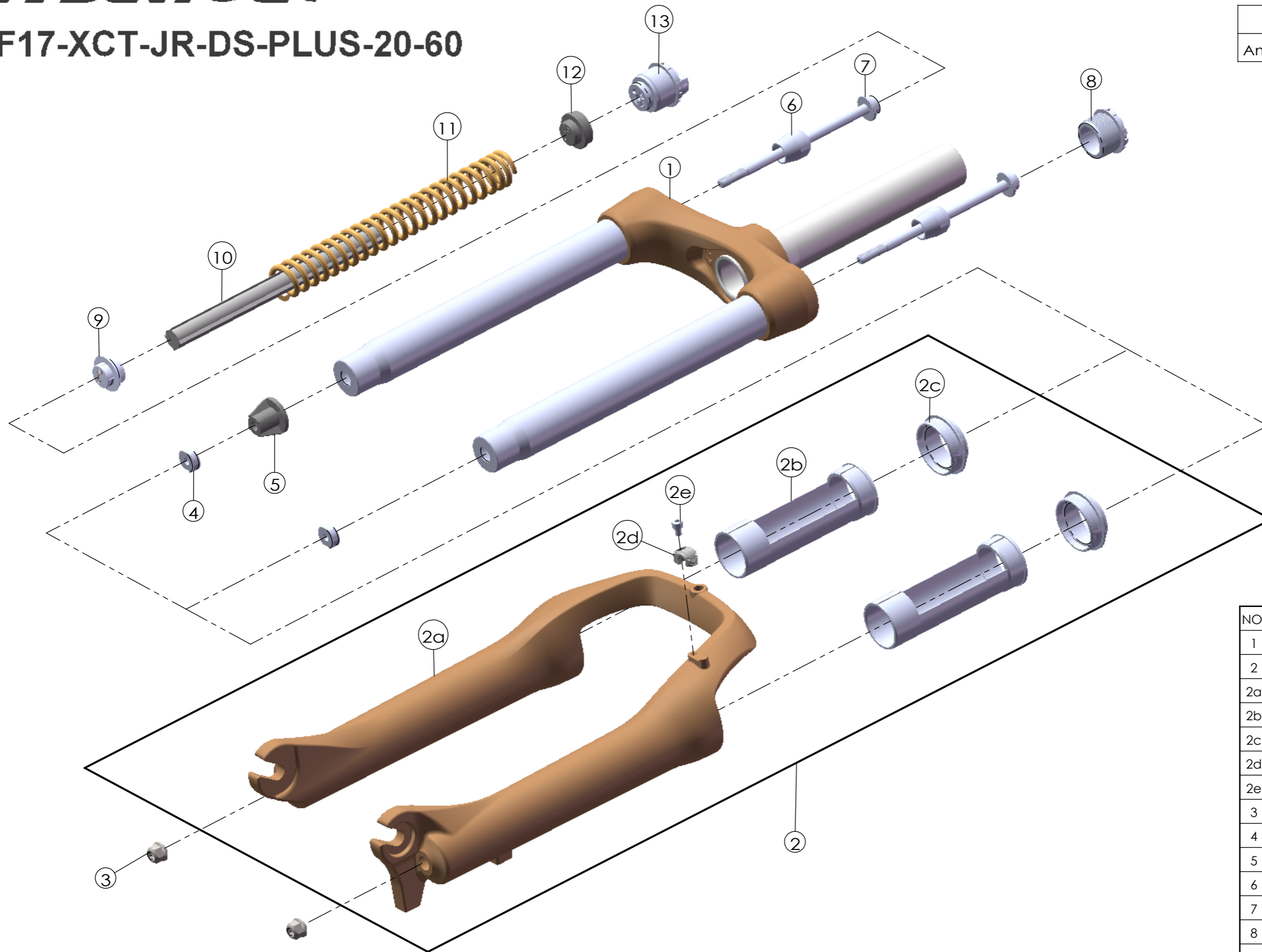


Date	2015.11.21	Version	1
Amended			



NO.	PART NAME	PART CODE	QTY.
1	UPPER ASSY	FKZ091-01	1
2	BOTTOM CASE ASSY	FKZ092-10	1
2a	BOTTOM CASE	FPB417	1
2b	SLIDER SLEEVE	FEE942	2
2c	DUST SEAL	FAA125-40	2
2d	HOSE GUIDE	FEG166	1
2e	BOLT	FSB153	1
3	FIXING NUT	FSN023	2
4	NUT PLATE	FSN025	2
5	BOTTOM STOPPER	FEG174	1
6	REBOUND RUBBER	FEP086-10	2
7	FIXING BOLT	FSB157-03	2
8	FIXING CAP	FEE830	1
9	SPRING GUIDE UPPER	FEE468-10	1
10	DAMPER	FEP262-50	1
11	MAIN SPRING	FEP740	1
12	SPRING GUIDE LOWER	FEE467-10	1
13	ADJUSTER ASSY	FKE008-11	1