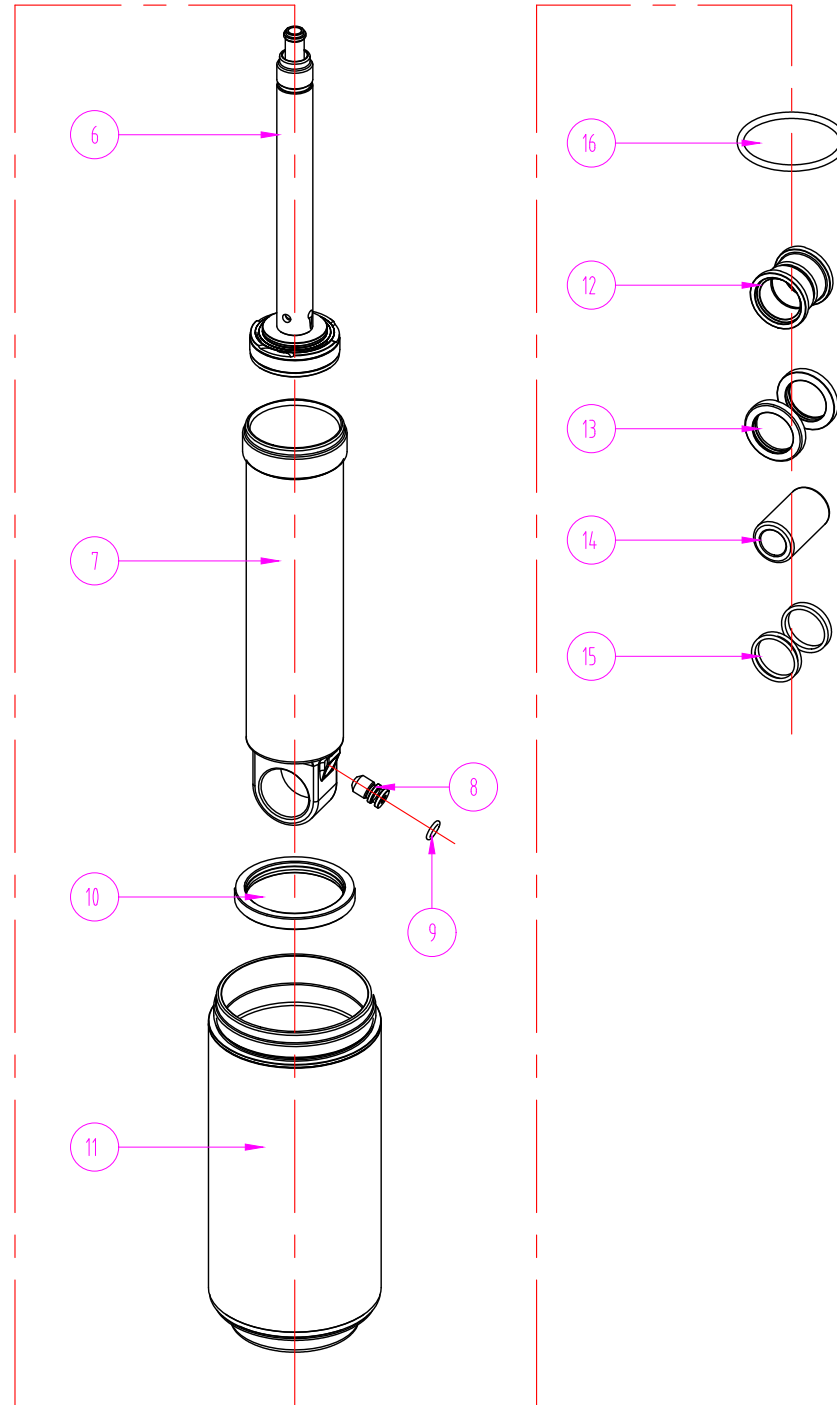
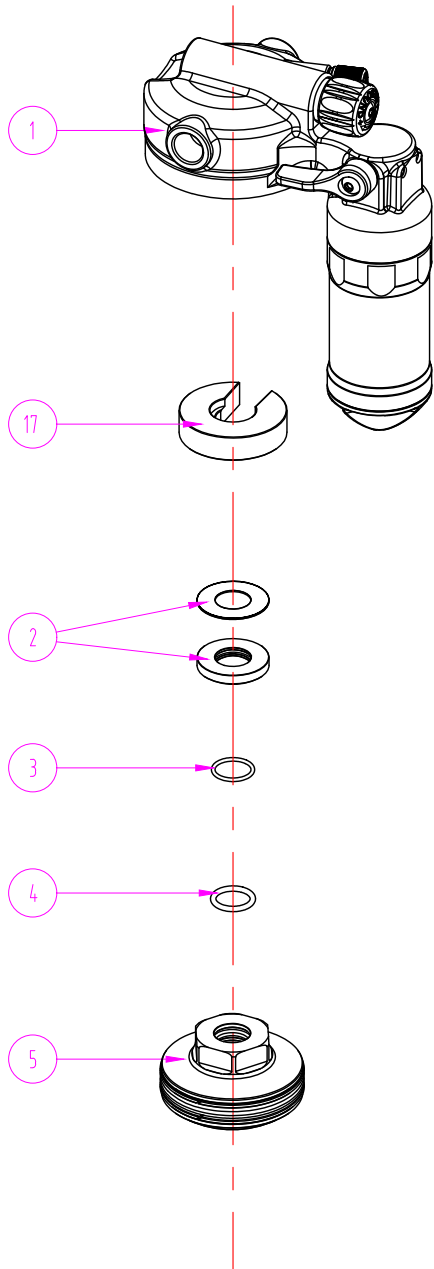


SR SUNTOUR

RS18-TRIAIR TRUNNION

Date	2018.09.18	Version	1
Amended	2019.03.28		



17	行程管套 SPACER	REE152	ABS	1		1		1			
16	密封圈	RAA100	NBR	1	1	1	1	1	1	1	1
15	密封圈	RAA101	NBR	4	4	4	4	4	4	4	4
14	缓冲垫 SHIM	REE175	AL6061	1	1	1	1	1	1	1	1
		REE174		1	1	1	1	1	1	1	1
13	密封圈	RAA091	ABS	2	2	2	2	2	2	2	2
12	防尘帽盖	REE114	PLASTIC	2	2	2	2	2	2	2	2
11	阻尼主销轴套 ASSEMBLY	RBA516-90								1	1
		RBA516-50		1	1						
		RBA516-40				1	1				
10	防尘块 OUT BUMPER	REE160	NBR	1	1	1	1	1	1	1	
9	防尘圈塞 PLUG	RSB016	AL6061	1	1	1	1	1	1	1	
8	密封圈	FAA270	NBR	1	1	1	1	1	1	1	
7	销轴 BODY	RLB123-90	AL6061								1
		RLB123-50		1	1						
		RLB123-40				1	1				
6	销轴心轴轴套 ASSEMBLY	RBA551-60		1	1						
		RBA551-50				1	1				
		RBA551-40							1	1	
5	支撑轴套 SET ASSEMBLY	RBA514-20		1	1	1	1	1	1	1	
4	密封圈	FAA392	NBR	1	1	1	1	1	1	1	
3	密封圈	RAA012	NBR								
2	行程管套 SPACER	RSW108	AL6061								
	销轴	RSW097	SK5	1	1	1	1	1	1	1	1
1	支撑轴套 ASSEMBLY	RBA515-50		1	1	1	1	1	1	1	
规格	尺寸(外径)mm	SRB CODE	材料 MATERIAL	185-50	185-55	205-60	205-65	225-70	225-75		