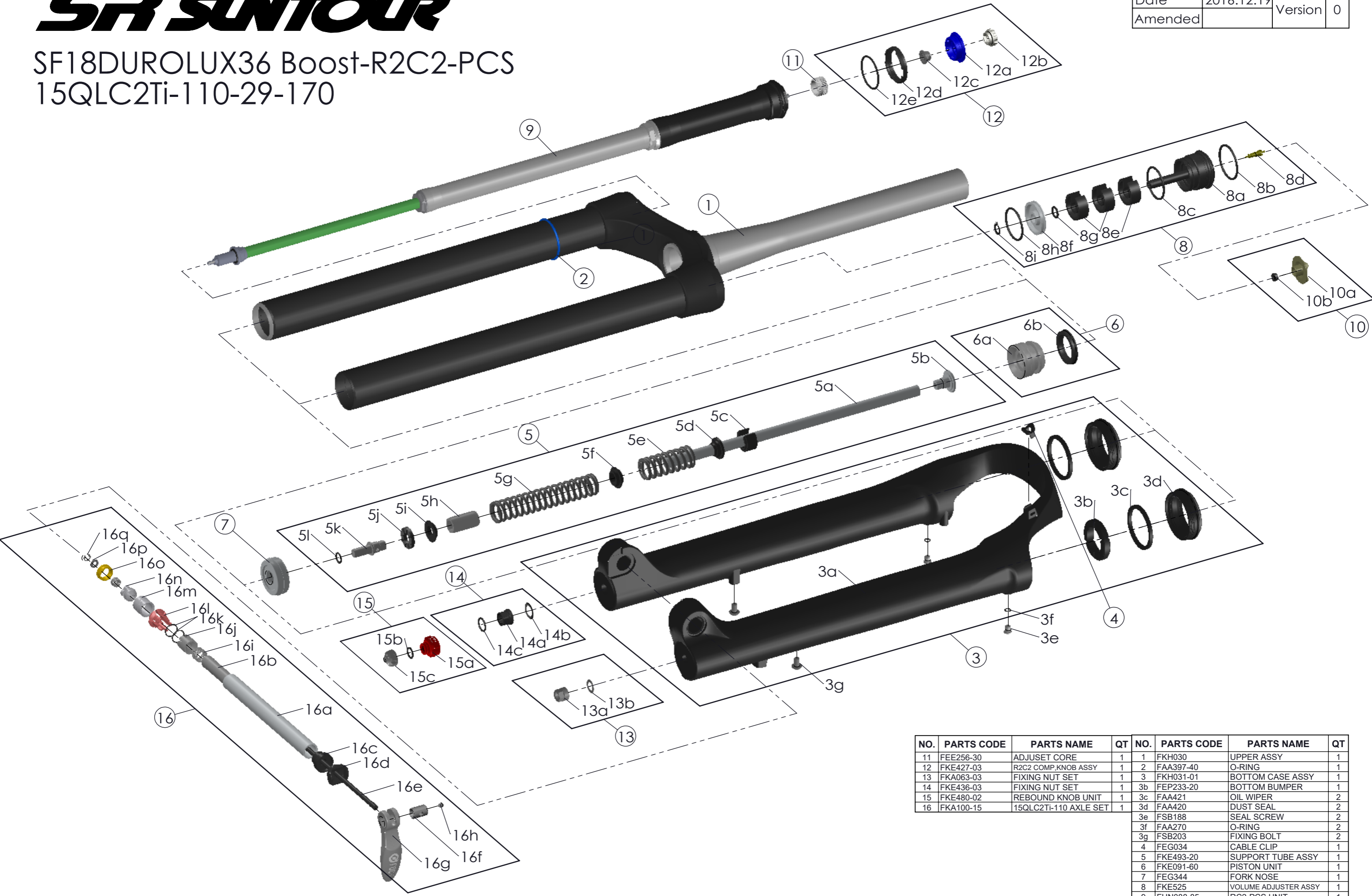


SF SUNTOUR

SF18DUROLUX36 Boost-R2C2-PCS
15QLC2Ti-110-29-170

Date	2016.12.19	Version	0
Amended			



NO.	PARTS CODE	PARTS NAME	QT	NO.	PARTS CODE	PARTS NAME	QT
11	FEE256-30	ADJUSE T CORE	1	1	FKH030	UPPER ASSY	1
12	FKE427-03	R2C2 COMP.KNOB ASSY	1	2	FAA397-40	O-RING	1
13	FKA063-03	FIXING NUT SET	1	3	FKH031-01	BOTTOM CASE ASSY	1
14	FKE436-03	FIXING NUT SET	1	3b	FEP233-20	BOTTOM BUMPER	1
15	FKE480-02	REBOUND KNOB UNIT	1	3c	FAA421	OIL WIPER	2
16	FKA100-15	15QLC2Ti-110 AXLE SET	1	3d	FAA420	DUST SEAL	2
				3e	FSB188	SEAL SCREW	2
				3f	FAA270	O-RING	2
				3g	FSB203	FIXING BOLT	2
				4	FEG034	CABLE CLIP	1
				5	FKE493-20	SUPPORT TUBE ASSY	1
				6	FKE091-60	PISTON UNIT	1
				7	FEG344	FORK NOSE	1
				8	FKE525	VOLUME ADJUSTER ASSY	1
				9	FUN088-85	RC2-PCS UNIT	1
				10	FKE076-50	VALVE CAP ASSY	1