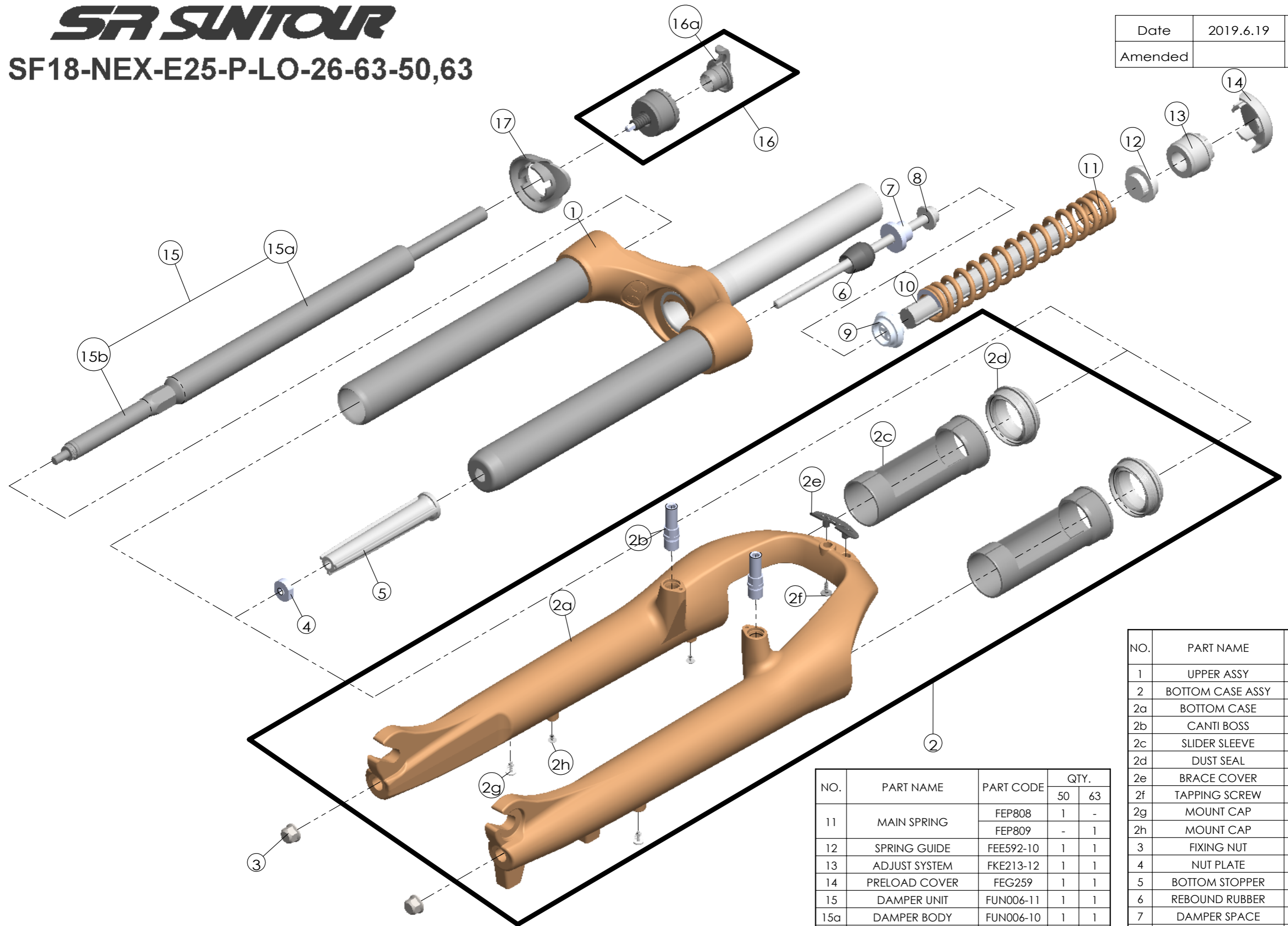


| | | | |
|---------|-----------|---------|---|
| Date | 2019.6.19 | Version | 1 |
| Amended | | | |



| NO. | PART NAME | PART CODE | QTY. | |
|-----|----------------|-----------|------|----|
| | | | 50 | 63 |
| 11 | MAIN SPRING | FEP808 | 1 | - |
| | | FEP809 | - | 1 |
| 12 | SPRING GUIDE | FEE592-10 | 1 | 1 |
| 13 | ADJUST SYSTEM | FKE213-12 | 1 | 1 |
| 14 | PRELOAD COVER | FEG259 | 1 | 1 |
| 15 | DAMPER UNIT | FUN006-11 | 1 | 1 |
| 15a | DAMPER BODY | FUN006-10 | 1 | 1 |
| 15b | SUPPORT TUBE | FEE847-10 | 1 | 1 |
| 16 | LO TOPCAP ASSY | FKE028-66 | 1 | 1 |
| 16a | LO KNOB | FEG246 | 1 | 1 |
| 17 | LO KNOB COVER | FEG258 | 1 | 1 |

| NO. | PART NAME | PART CODE | QTY. | |
|-----|------------------|-----------|------|----|
| | | | 50 | 63 |
| 1 | UPPER ASSY | FKZ138-02 | 1 | 1 |
| 2 | BOTTOM CASE ASSY | FKZ139-10 | 1 | 1 |
| 2a | BOTTOM CASE | FPB459 | 1 | 1 |
| 2b | CANTI BOSS | FSB241-16 | 2 | 2 |
| 2c | SLIDER SLEEVE | FEE785 | 2 | 2 |
| 2d | DUST SEAL | FAA070-10 | 2 | 2 |
| 2e | BRACE COVER | FEE716 | 1 | 1 |
| 2f | TAPPING SCREW | FSB114-20 | 2 | 2 |
| 2g | MOUNT CAP | FAA199 | 2 | 2 |
| 2h | MOUNT CAP | FAA199-10 | 2 | 2 |
| 3 | FIXING NUT | FSN023 | 2 | 2 |
| 4 | NUT PLATE | FSN025 | 1 | 1 |
| 5 | BOTTOM STOPPER | FEG178 | 1 | 1 |
| 6 | REBOUND RUBBER | FEP086-10 | 1 | 1 |
| 7 | DAMPER SPACE | FEE452 | 1 | - |
| 8 | FIXING BOLT | FSB159-06 | 1 | 1 |
| 9 | SPRING GUIDE | FEE593-10 | 1 | 1 |
| 10 | DAMPER | FEP322-30 | 1 | - |
| | | FEP322-20 | - | 1 |