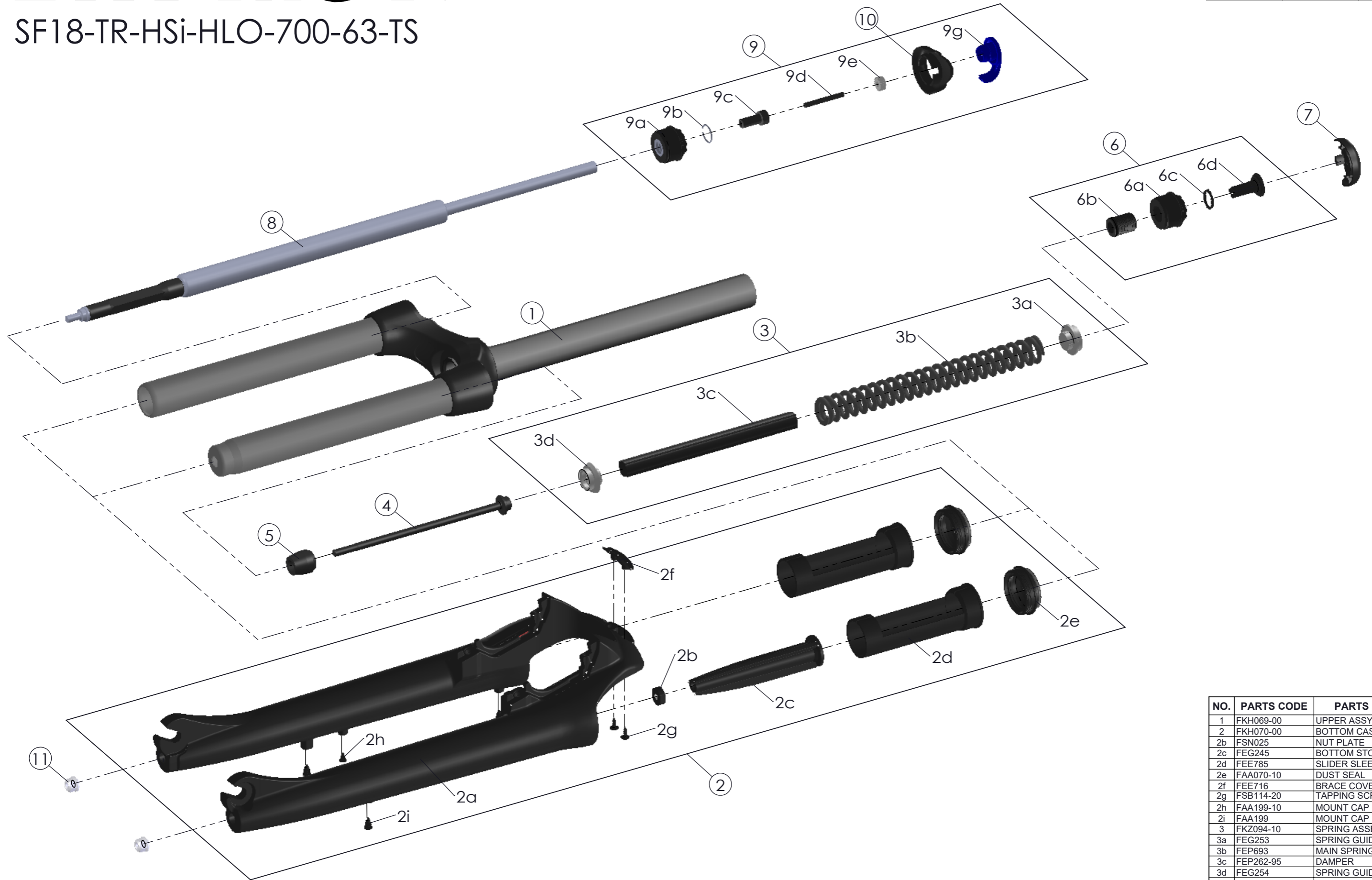


# SR SUNTOUR

SF18-TR-HSi-HLO-700-63-TS

|         |            |         |   |
|---------|------------|---------|---|
| Date    | 2018.-7.17 | Version | 0 |
| Amended |            |         |   |



| NO. | PARTS CODE | PARTS NAME         | QT |
|-----|------------|--------------------|----|
| 1   | FKH069-00  | UPPER ASSY         | 1  |
| 2   | FKH070-00  | BOTTOM CASE ASSY   | 1  |
| 2b  | FSN025     | NUT PLATE          | 1  |
| 2c  | FEG245     | BOTTOM STOPPER     | 1  |
| 2d  | FEE785     | SLIDER SLEEVES     | 2  |
| 2e  | FAA070-10  | DUST SEAL          | 2  |
| 2f  | FEE716     | BRACE COVER        | 1  |
| 2g  | FSB114-20  | TAPPING SCREW      | 2  |
| 2h  | FAA199-10  | MOUNT CAP          | 2  |
| 2i  | FAA199     | MOUNT CAP          | 2  |
| 3   | FKZ094-10  | SPRING ASSEMBLY    | 1  |
| 3a  | FEG253     | SPRING GUIDE UPPER | 1  |
| 3b  | FEP693     | MAIN SPRING        | 1  |
| 3c  | FEP262-95  | DAMPER             | 1  |
| 3d  | FEG254     | SPRING GUIDE LOWER | 1  |
| 4   | FSB159-09  | FIXING BOLT        | 1  |
| 5   | FEP086-10  | REBOUND RUBBER     | 1  |
| 6   | FKE213-12  | ADJUSTER ASSY      | 1  |
| 7   | FEG259     | PRELOAD COVER      | 1  |
| 8   | FUN050-13  | LO UNIT            | 1  |
| 9   | FKE028-66  | LO TOP CAP ASSY    | 1  |
| 10  | FEG258     | LO KNOB COVER      | 1  |
| 11  | FSN023     | FIXING NUT         | 1  |