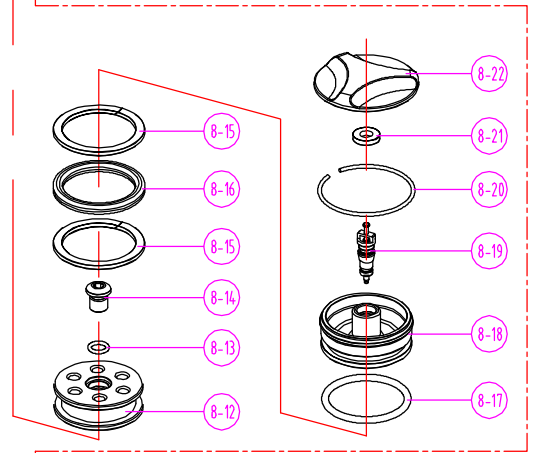
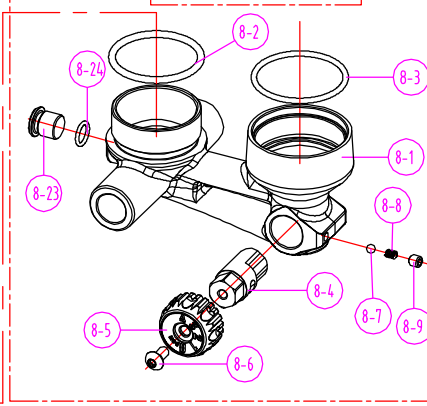
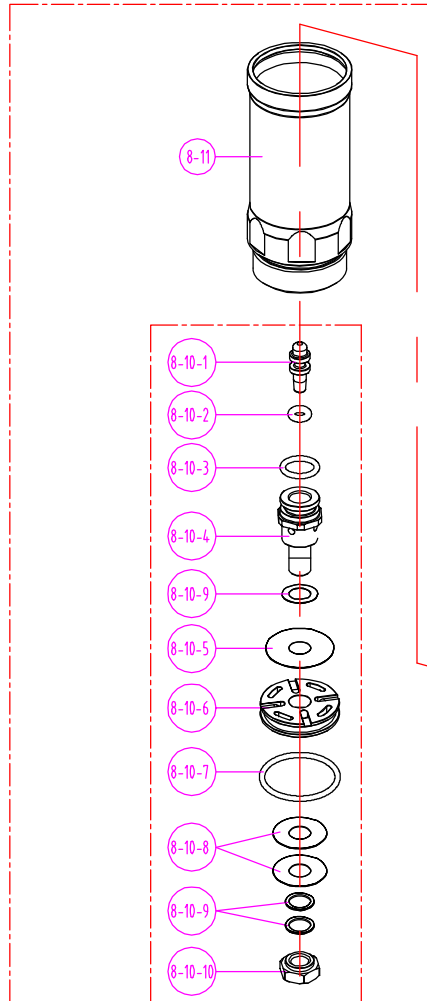
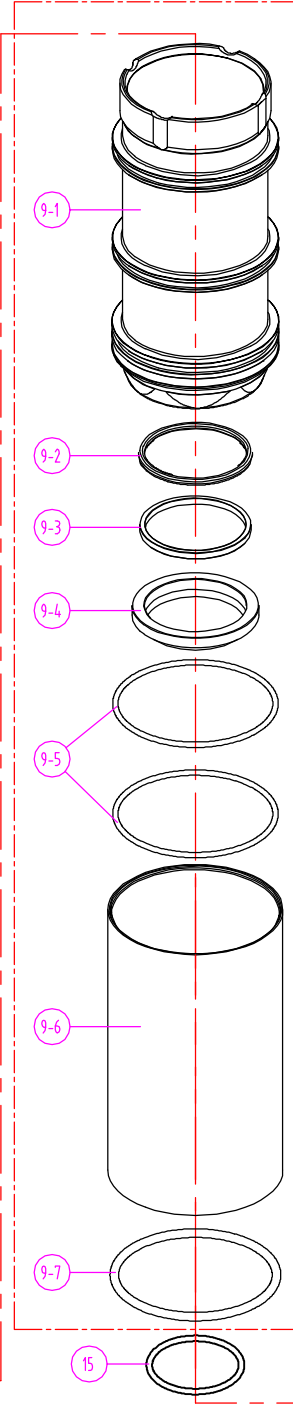
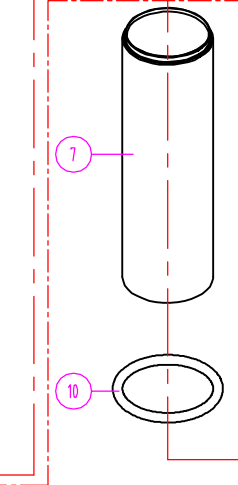
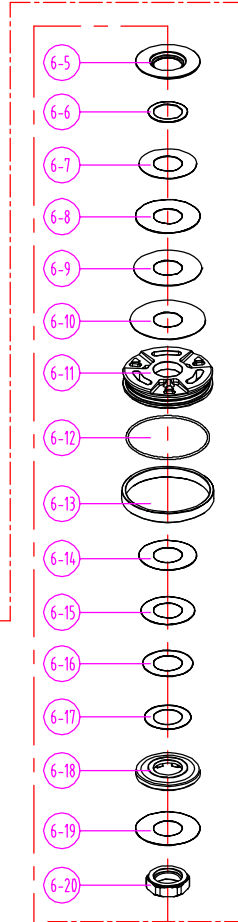
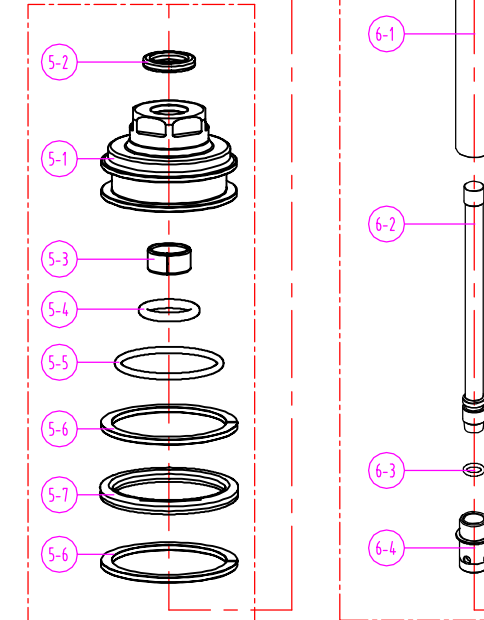
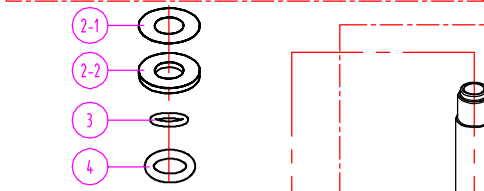
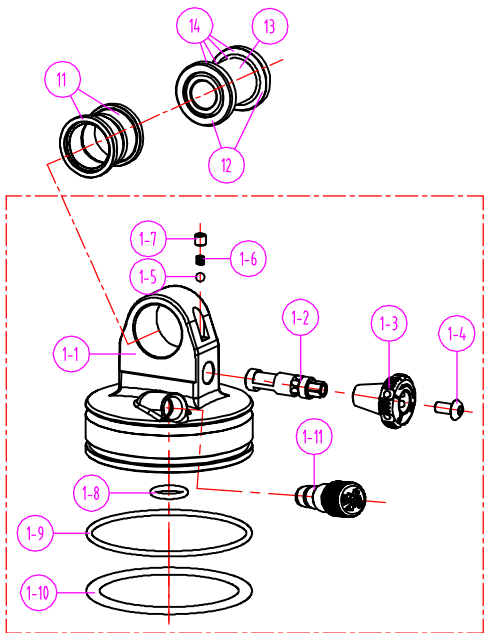


SR SUNTOUR

RS19-JURNI TR RC



Date	2018.09.05	Version	1
Amended			

NO	DESCRIPTION	REM	225	205	185	
20	螺絲帽KER	REM	1	1	1	
19	凸輪螺絲帽	REM	1	1	1	
18	O 型膠圈	RAA100	1	1	1	
17	氮氣/COGEN GAS	KCA001	110psi	110psi	110psi	
16	氮氣/COGEN GAS	KCA001	220psi	220psi	220psi	
15	礦物油	KCE207	65cc	62cc	60cc	
14	O 型膠圈	RAA101	NBR	4	4	4
13	鋁制圓盤/SHING	REE176	AL6061	1	1	1
		REE175	AL6061	1	1	1
		REE174	AL6061	1	1	1
12	鋁制圓盤/SHING	RAA091	2	2	2	
11	鋁制圓盤/SHING	REE114	2	2	2	
10	O 型膠圈	FAA352	1	1	1	
9	前叉主軸組裝件/STEER ASSEMBLY	RBA704-40			1	
		RBA704-30		1		
		RBA704-10		1		
8	前叉外殼組裝件/SHOUSING ASSEMBLY	RBA702-10	1	1	1	
		RLB104-8			1	
		RLB104-6		1		
7	避震筒 BODY	AL7050		1		
		RLB104-3	1			
		RBA710-40			1	
6	避震筒內管組裝件/SPINDLE ASSEMBLY	RBA710-30		1		
		RBA710-10	1			
		RBA101-20	1	1	1	
5	避震筒頂蓋組裝件/SET ASSEMBLY	RBA101-20	1	1	1	
4	O 型膠圈	RAA074	NBR	1	1	1
3	O 型膠圈	RAA012	NBR			
2-2	行車鎖環 SPACER	REE196	AL6061		1	
2-1	螺絲帽	RSW097	SK5	1	1	
1	五通管組裝件/ASSEMBLY	RBA701	1	1	1	
類別	零件名稱/DESCRIPTION	材料/COLOUR	MATERIAL	225	205	185
				-75	-85	-95