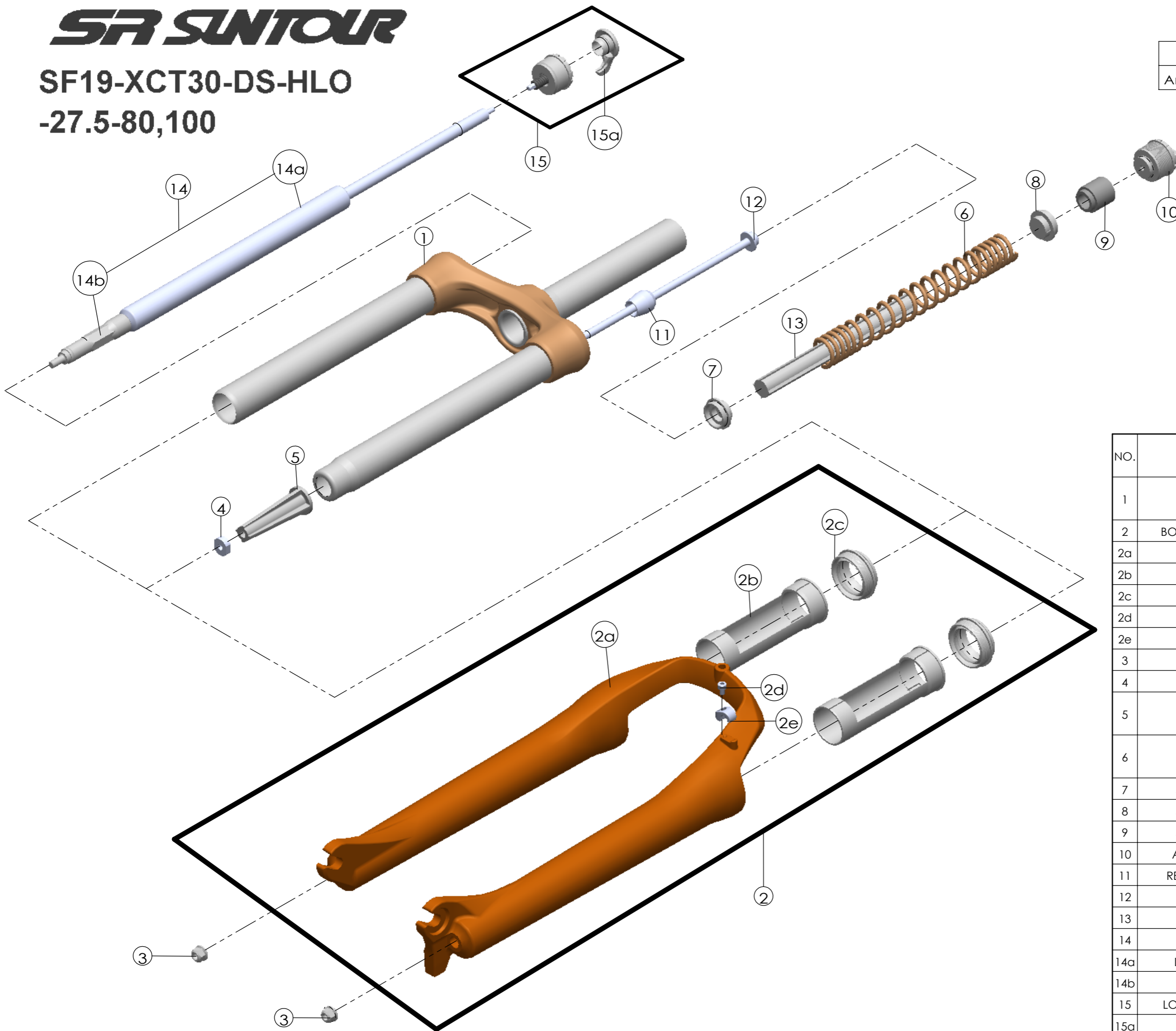


SF SUNTOUR

SF19-XCT30-DS-HLO -27.5-80,100

Date	2019.3.25	Version	1
Amended			



NO.	PART NAME	PART CODE	QTY.	
			80	100
1	UPPER ASSY	FKZ125-04	1	-
		FKZ125-03	-	1
2	BOTTOM CASE ASSY	FKZ126-10	1	1
2a	BOTTOM CASE	FPB478	1	1
2b	SLIDER SLEEVE	FEE785	2	2
2c	DUST SEAL	FAA070-10	2	2
2d	BOLT	FSB153	1	1
2e	HOSE GUIDE	FEG166	1	1
3	FIXING NUT	FSN023	2	2
4	NUT PLATE	FSN025	1	1
5	SUPPORT TUBE	FEE853-00	1	-
		FEE909-40	-	1
6	MAIN SPRING	FEP449	1	-
		FEP448	-	1
7	SPRING GUIDE	FEE593-10	1	1
8	SPRING GUIDE	FEE592-10	1	1
9	SPRING GUIDE	FEE992	1	1
10	ADJUST SYSTEM	FKE009-11	1	1
11	REBOUND RUBBER	FEP086-10	1	1
12	FIXING GUIDE	FSB159-00	1	1
13	DAMPER	FEP322-20	1	1
14	DAMPER UNIT	FUN050-11	1	1
14a	DAMPER BODY	FUN050-00	1	1
14b	SUPPORT TUBE	FEE847-01	1	1
15	LO ADJUST SYSTEM	FKE028-28	1	1
15a	LO KNOB	FEG426	1	1