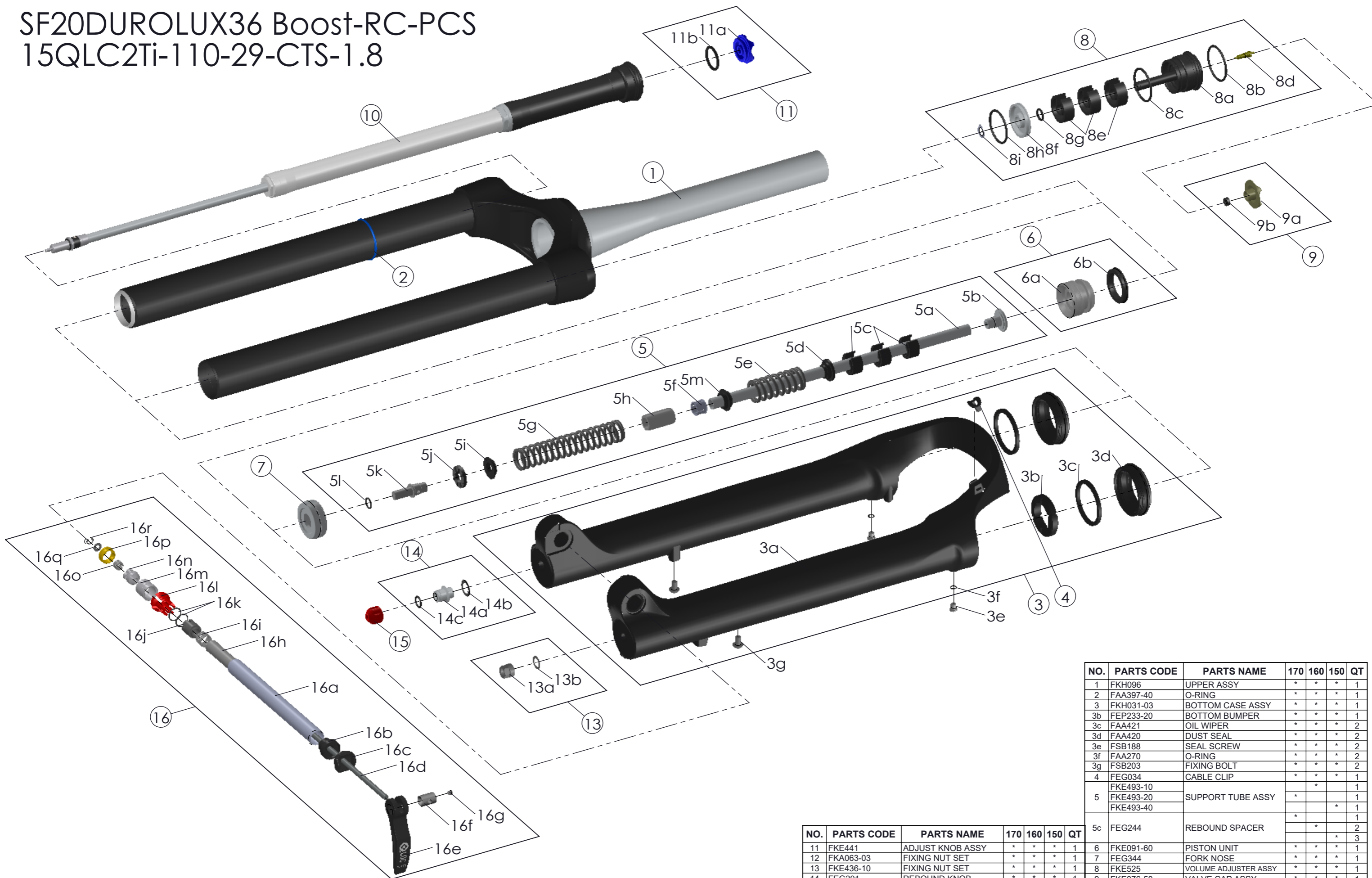


# SUNTOUR

SF20DUROLUX36 Boost-RC-PCS  
15QLC2Ti-110-29-CTS-1.8

Date	2019.-5.17	Version	0
Amended			



NO.	PARTS CODE	PARTS NAME	170	160	150	QT
1	FKH096	UPPER ASSY	*	*	*	1
2	FAA397-40	O-RING	*	*	*	1
3	FKH031-03	BOTTOM CASE ASSY	*	*	*	1
3b	FEP233-20	BOTTOM BUMPER	*	*	*	1
3c	FAA421	OIL WIPER	*	*	*	2
3d	FAA420	DUST SEAL	*	*	*	2
3e	FSB188	SEAL SCREW	*	*	*	2
3f	FAA270	O-RING	*	*	*	2
3g	FSB203	FIXING BOLT	*	*	*	2
4	FEG034	CABLE CLIP	*	*	*	1
	FKE493-10		*	*		1
5	FKE493-20	SUPPORT TUBE ASSY	*			1
	FKE493-40				*	1
			*			1
5c	FEG244	REBOUND SPACER		*		2
					*	3
6	FKE091-60	PISTON UNIT	*	*	*	1
7	FEG344	FORK NOSE	*	*	*	1
8	FKE525	VOLUME ADJUSTER ASSY	*	*	*	1
9	FKE076-50	VALVE CAP ASSY	*	*	*	1
10	FUN160-85	RC UNIT	*	*	*	1

NO.	PARTS CODE	PARTS NAME	170	160	150	QT
11	FKE441	ADJUST KNOB ASSY	*	*	*	1
12	FKA063-03	FIXING NUT SET	*	*	*	1
13	FKE436-10	FIXING NUT SET	*	*	*	1
14	FEG201	REBOUND KNOB	*	*	*	1
15	FKA100-25	15QLC32-110 AXLE SET	*	*	*	1