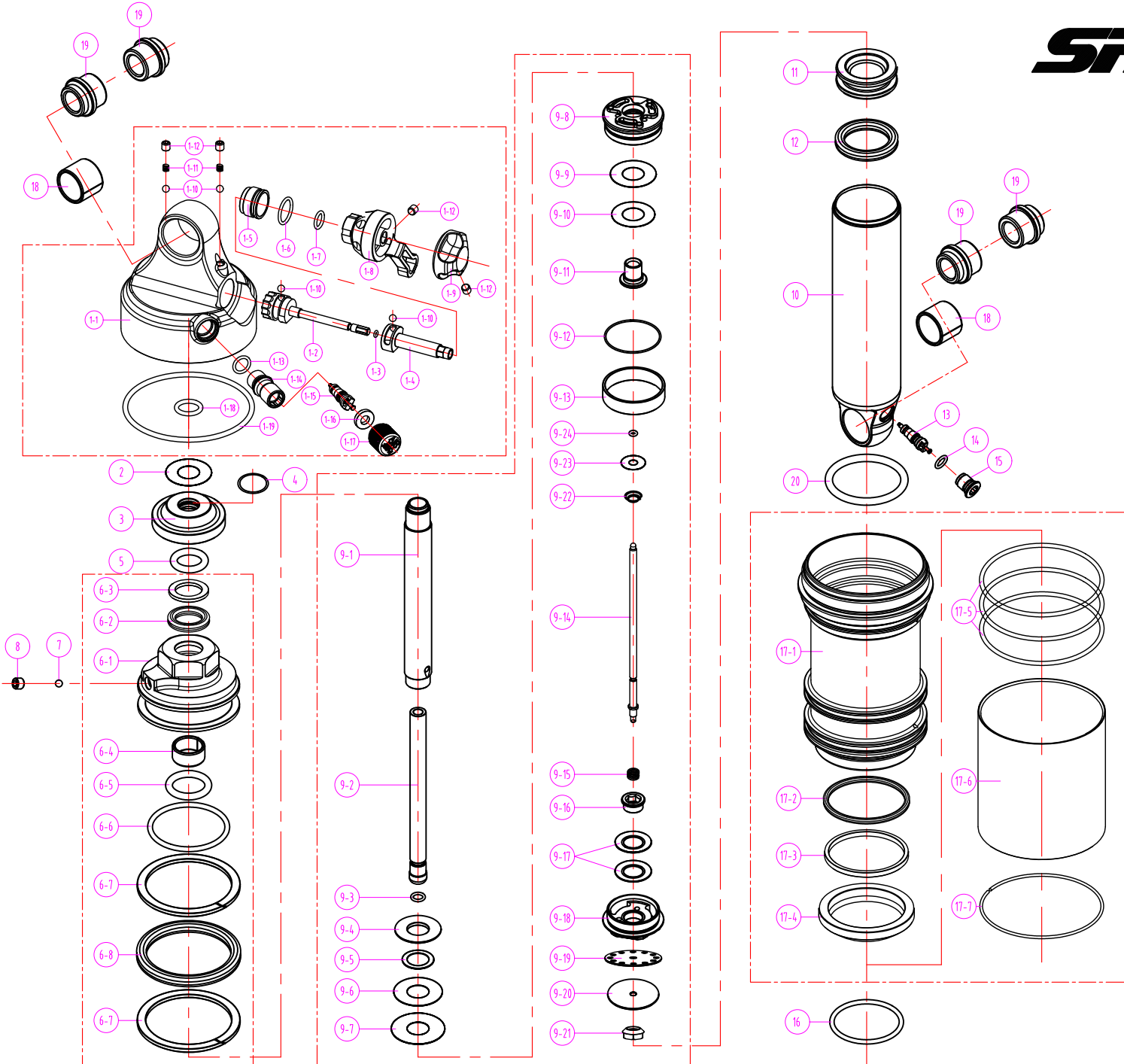


SR SUNTOUR

RS21-EDGE PLUS_2CR METRIC

Date	2020.09.16	Version	1
Amended			



NO	品名	FAA352	NBR	1	1	1	1	1					
20	O RING	FAA352	NBR	1	1	1	1	1					
19	前叉冠蓋 SHING	RAA073	AL6061	2	2	2	2	2					
	前叉冠蓋 SHING	RAA072	AL6061	2	2	2	2	2					
18	前叉軸承	REE074	STEEL	2	2	2	2	2					
	前叉主軸承 ASSEMBLY	RBA307-35 RBA307-45 RBA307-55 RBA307-65 RBA307-75						1					
17	O RING	RAA100	NBR	1	1	1	1	1					
16	前叉蓋帽	RAA102	AL6061	1	1	1	1	1					
15	O RING	FAA140	NBR	1	1	1	1	1					
14	前叉閥	FAA170		1	1	1	1	1					
13	X O RING	RAA046	NBR	1	1	1	1	1					
12	前叉活塞	REE066	AL6061	1	1	1	1	1					
11	前叉車身 BODY	RLB120-6 RLB120-5 RLB120-4 RLB120-3 RLB120-2	AL7050					1					
	前叉車身 BODY	RLB120-6 RLB120-5 RLB120-4 RLB120-3 RLB120-2	AL7050				1						
	前叉車身 BODY	RLB120-6 RLB120-5 RLB120-4 RLB120-3 RLB120-2	AL7050					1					
	前叉車身 BODY	RLB120-6 RLB120-5 RLB120-4 RLB120-3 RLB120-2	AL7050	1									
9	前叉車身 ASSEMBLY	RBA331-35-10 RBA331-45-10 RBA331-55-10 RBA331-65-10 RBA331-75-10						1					
	前叉車身 ASSEMBLY	RBA331-35-10 RBA331-45-10 RBA331-55-10 RBA331-65-10 RBA331-75-10					1						
	前叉車身 ASSEMBLY	RBA331-35-10 RBA331-45-10 RBA331-55-10 RBA331-65-10 RBA331-75-10						1					
	前叉車身 ASSEMBLY	RBA331-35-10 RBA331-45-10 RBA331-55-10 RBA331-65-10 RBA331-75-10		1									
8	前叉鋼絲	PSB103	STEEL	1	1	1	1	1					
7	叉腿 L 鋼絲	DS0001	STEEL	1	1	1	1	1					
6	叉腿鋼絲 SET ASSEMBLY	RBA304		1	1	1	1	1					
5	O RING	RAA074	NBR	1	1	1	1	1					
4	O RING	RAA012	NBR	1	1	1	1	1					
3	行程限位 SPACER	REE203	ABS	1	1	1	1	1					
2	轉軸	RSW097	STEEL	1	1	1	1	1					
1	前叉總裝	RBA301-10		1	1	1	1	1					
製後	品名	SR CODE	MATERIAL	75	170	65	160	55	150	45	140	35	130
				250	2CR	230	2CR	210	2CR	190	2CR	170	2CR