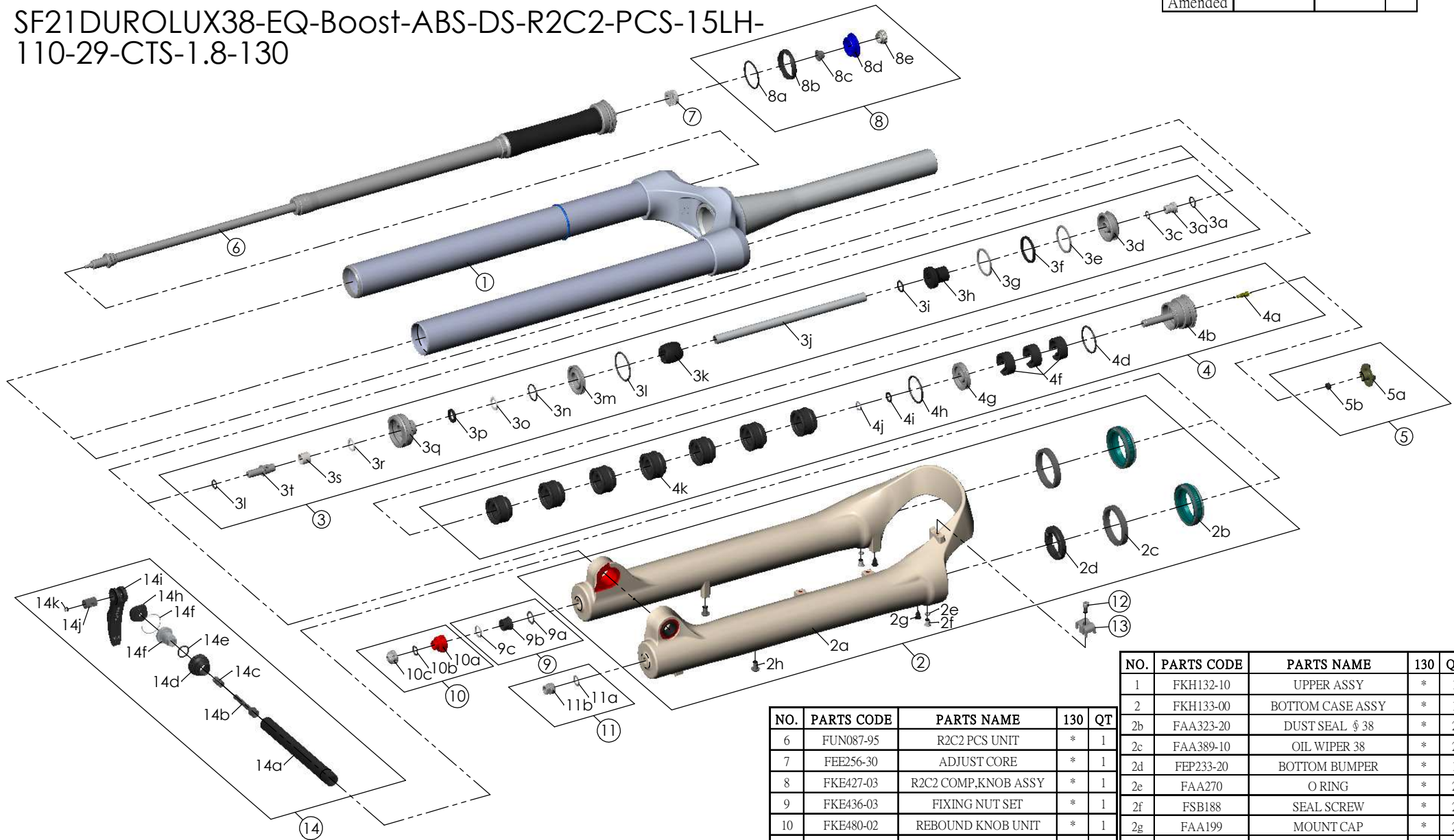


SUNTOUR

SF21DUROLUX38-EQ-Boost-ABS-DS-R2C2-PCS-15LH-110-29-CTS-1.8-130

Date	2021.-10-01	Version	0
Amended			



NO.	PARTS CODE	PARTS NAME	130	QT
1	FKH132-10	UPPER ASSY	*	1
2	FKH133-00	BOTTOM CASE ASSY	*	1
2b	FAA323-20	DUST SEAL \$ 38	*	2
2c	FAA389-10	OIL WIPER 38	*	2
2d	FEP233-20	BOTTOM BUMPER	*	1
2e	FAA270	O RING	*	2
2f	FSB188	SEAL SCREW	*	2
2g	FAA199	MOUNT CAP	*	2
2h	FSB203	FIXING BOLT	*	2
3	FKE577-55	SUPPORT TUBE ASSY	*	1
4	FKE525-53	VOLUME ADJUSTER ASSY	*	1
5	FKE076-50	VALVE CAP ASSY	*	1
6	FUN087-95	R2C2 PCS UNIT	*	1
7	FEE256-30	ADJUST CORE	*	1
8	FKE427-03	R2C2 COMP,KNOB ASSY	*	1
9	FKE436-03	FIXING NUT SET	*	1
10	FKE480-02	REBOUND KNOB UNIT	*	1
11	FKA063-03	FIXING NUT SET	*	1
12	FSB153	GUIDE FIXING BOLT	*	1
13	FEG519	CABLE GUIDE	*	1
14	FKA116-02	15LH-110 AXLE SET	*	1

NO.	PARTS CODE	PARTS NAME	130	QT
1	FKH132-10	UPPER ASSY	*	1
2	FKH133-00	BOTTOM CASE ASSY	*	1
2b	FAA323-20	DUST SEAL \$ 38	*	2
2c	FAA389-10	OIL WIPER 38	*	2
2d	FEP233-20	BOTTOM BUMPER	*	1
2e	FAA270	O RING	*	2
2f	FSB188	SEAL SCREW	*	2
2g	FAA199	MOUNT CAP	*	2
2h	FSB203	FIXING BOLT	*	2
3	FKE577-55	SUPPORT TUBE ASSY	*	1
4	FKE525-53	VOLUME ADJUSTER ASSY	*	1
5	FKE076-50	VALVE CAP ASSY	*	1