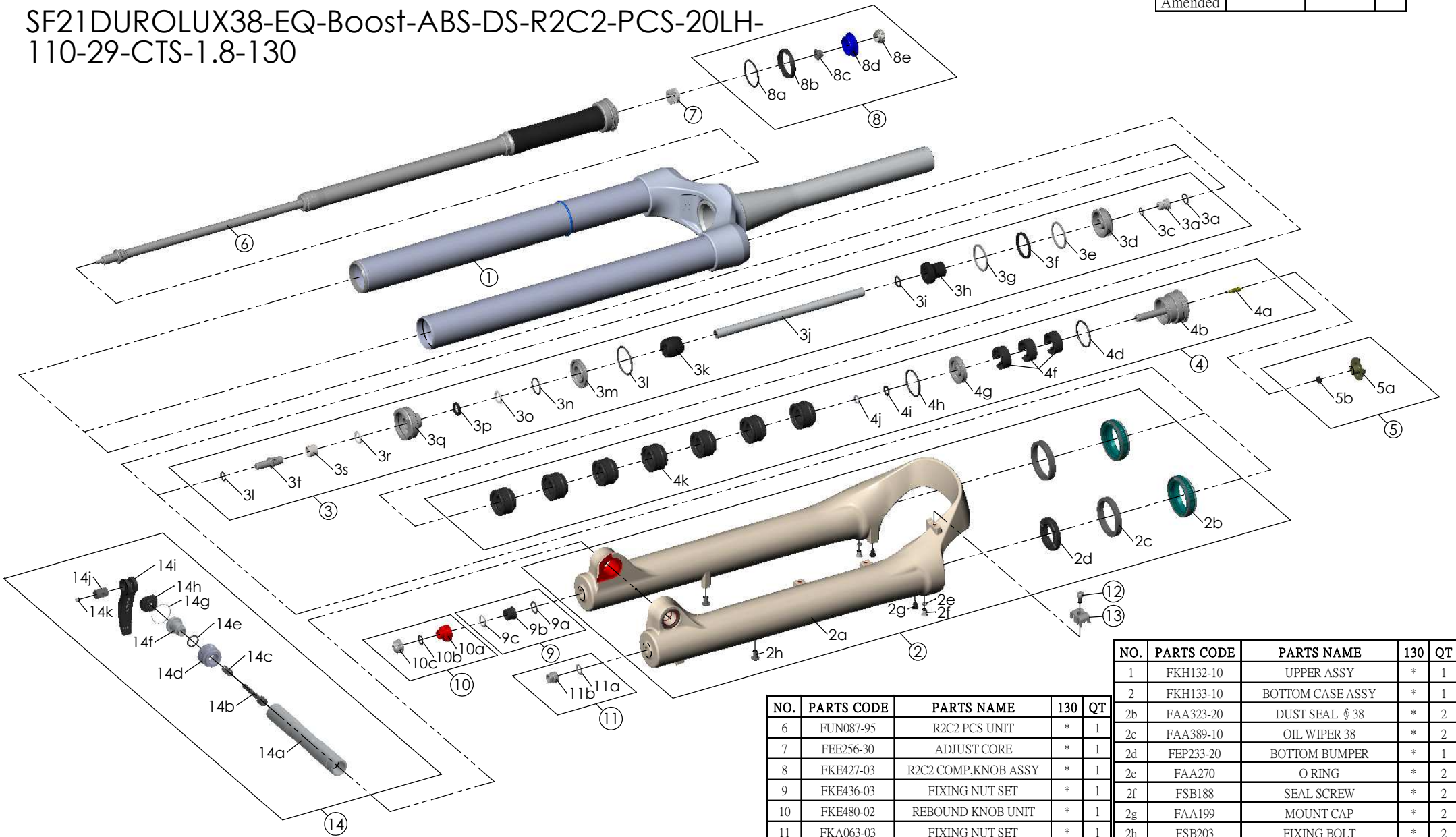


SUNTOUR

SF21DUROLUX38-EQ-Boost-ABS-DS-R2C2-PCS-20LH-110-29-CTS-1.8-130

| | | | |
|---------|-------------|---------|---|
| Date | 2021.-10-01 | Version | 0 |
| Amended | | | |



| NO. | PARTS CODE | PARTS NAME | 130 | QT |
|-----|------------|----------------------|-----|----|
| 1 | FKH132-10 | UPPER ASSY | * | 1 |
| 2 | FKH133-10 | BOTTOM CASE ASSY | * | 1 |
| 2b | FAA323-20 | DUST SEAL ϕ 38 | * | 2 |
| 2c | FAA389-10 | OIL WIPER 38 | * | 2 |
| 2d | FEP233-20 | BOTTOM BUMPER | * | 1 |
| 2e | FAA270 | O RING | * | 2 |
| 2f | FSB188 | SEAL SCREW | * | 2 |
| 2g | FAA199 | MOUNT CAP | * | 2 |
| 2h | FSB203 | FIXING BOLT | * | 2 |
| 3 | FKE577-55 | SUPPORT TUBE ASSY | * | 1 |
| 4 | FKE525-53 | VOLUME ADJUSTER ASSY | * | 1 |
| 5 | FKE076-50 | VALVE CAP ASSY | * | 1 |
| 6 | FUN087-95 | R2C2 PCS UNIT | * | 1 |
| 7 | FEE256-30 | ADJUST CORE | * | 1 |
| 8 | FKE427-03 | R2C2 COMP.KNOB ASSY | * | 1 |
| 9 | FKE436-03 | FIXING NUT SET | * | 1 |
| 10 | FKE480-02 | REBOUND KNOB UNIT | * | 1 |
| 11 | FKA063-03 | FIXING NUT SET | * | 1 |
| 12 | FSB153 | GUIDE FIXING BOLT | * | 1 |
| 13 | FEG519 | CABLE GUIDE | * | 1 |
| 14 | FKA123-00 | 20LH-110 ALXE SET | * | 1 |