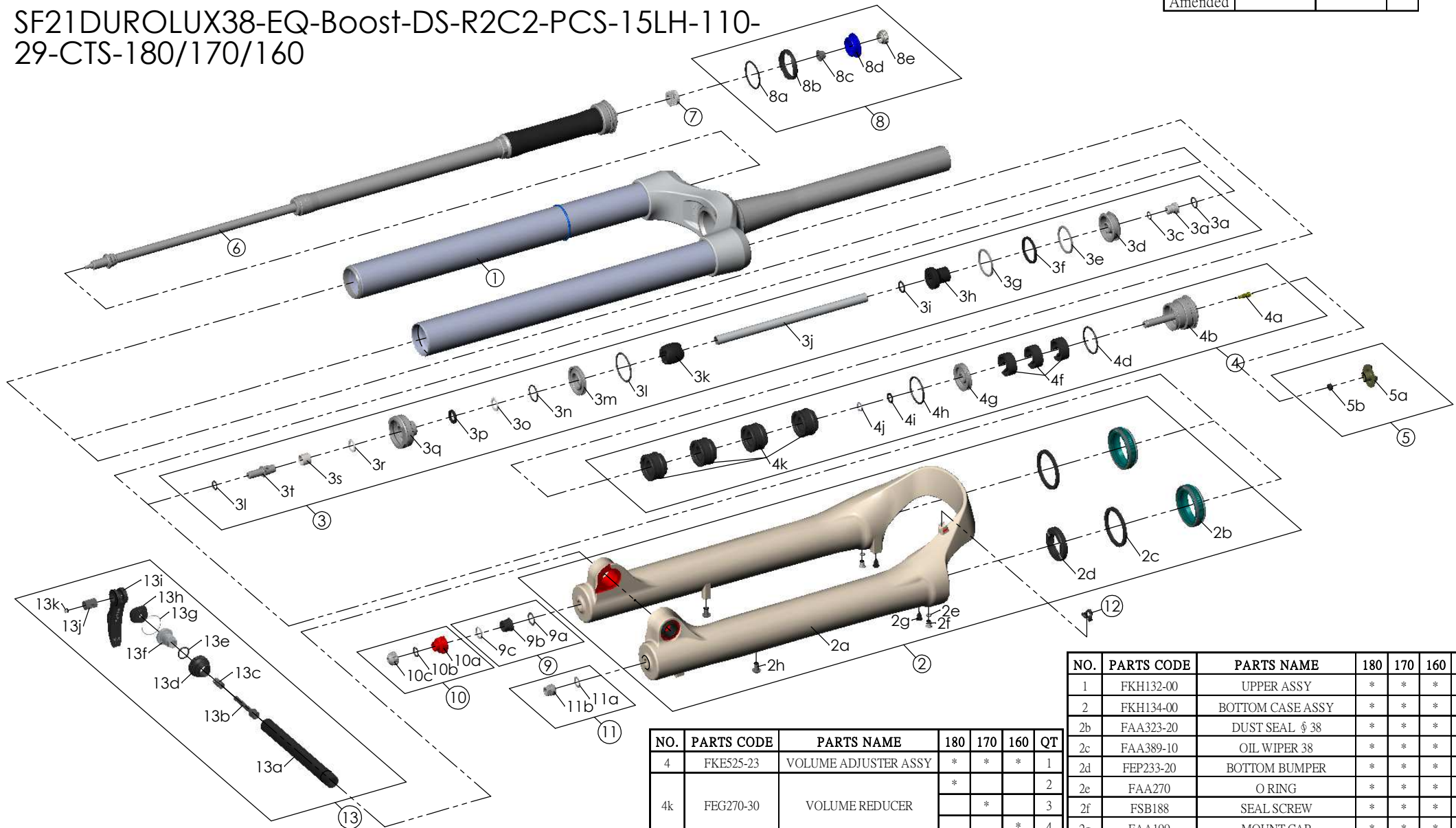


# SR SUNTOUR

SF21DUROLUX38-EQ-Boost-DS-R2C2-PCS-15LH-110-29-CTS-180/170/160

Date	2021.-10-08	Version	0
Amended			



NO.	PARTS CODE	PARTS NAME	180	170	160	QT
10	FKE480-02	REBOUND KNOB UNIT	*	*	*	1
11	FKA063-03	FIXING NUT SET	*	*	*	1
12	FEF034	CABLE CLIP	*	*	*	1
13	FKA116-02	15LH-110 AXLE SET	*	*	*	1

NO.	PARTS CODE	PARTS NAME	180	170	160	QT
4	FKE525-23	VOLUME ADJUSTER ASSY	*	*	*	1
4k	FEG270-30	VOLUME REDUCER	*			2
				*		3
					*	4
5	FKE076-50	VALVE CAP ASSY	*	*	*	1
6	FUN087-95	R2C2 PCS UNIT	*	*	*	1
7	FEE256-30	ADJUST CORE	*	*	*	1
8	FKE427-03	R2C2 COMP.KNOB ASSY	*	*	*	1
9	FKE436-03	FIXING NUT SET	*	*	*	1

NO.	PARTS CODE	PARTS NAME	180	170	160	QT
1	FKH132-00	UPPER ASSY	*	*	*	1
2	FKH134-00	BOTTOM CASE ASSY	*	*	*	1
2b	FAA323-20	DUST SEAL \$ 38	*	*	*	2
2c	FAA389-10	OIL WIPER 38	*	*	*	2
2d	FEP233-20	BOTTOM BUMPER	*	*	*	1
2e	FAA270	O RING	*	*	*	2
2f	FSB188	SEAL SCREW	*	*	*	2
2g	FAA199	MOUNT CAP	*	*	*	2
2h	FSB203	FIXING BOLT	*	*	*	2
3	FKE577-25	SUPPORT TUBE ASSY	*	*	*	1
3j	FPE002-69	SUPPORT TUBE		*		1
	FPE002-68			*		1
	FPE002-67				*	