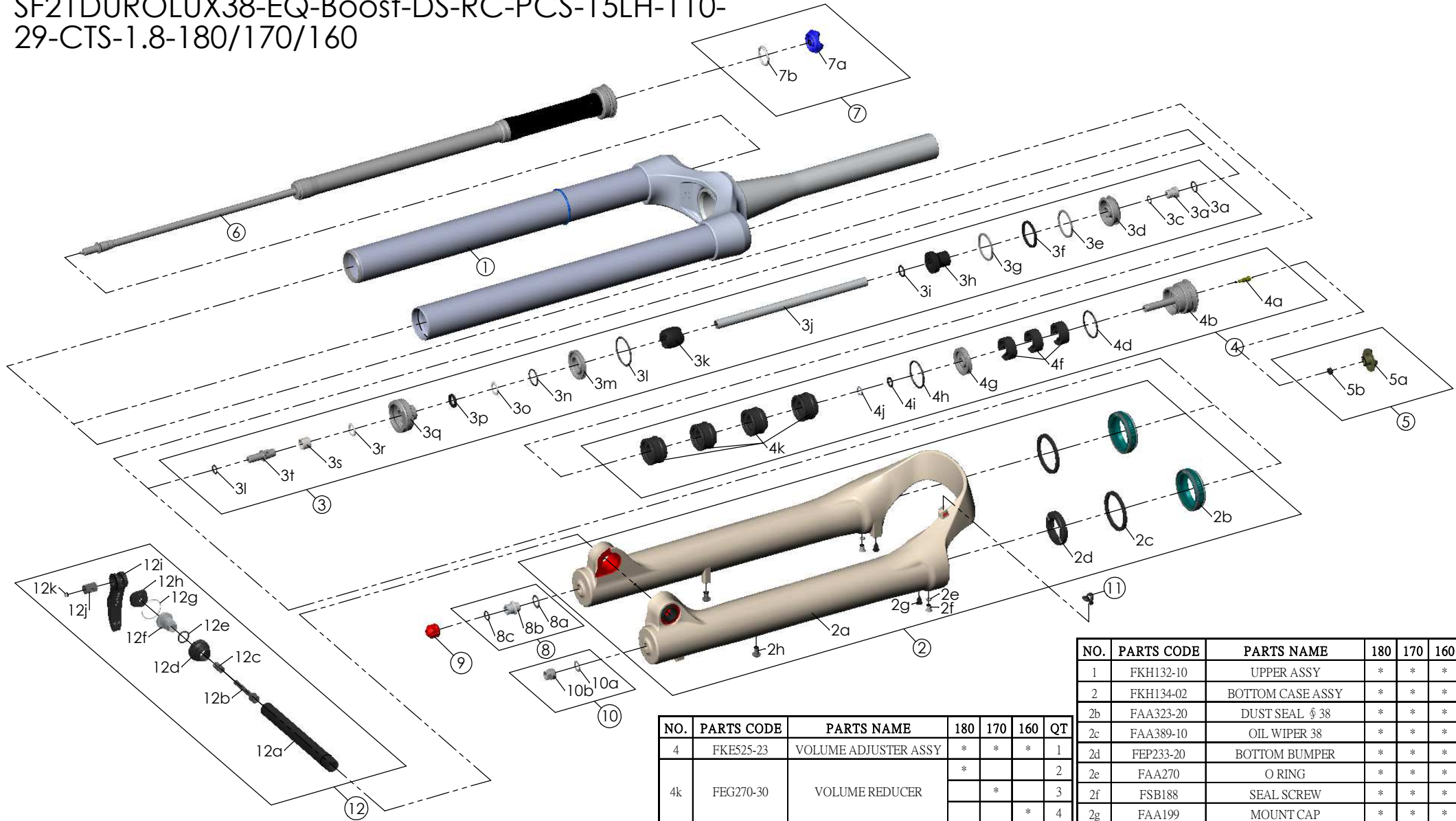


SR SUNTOUR

SF21DUROLUX38-EQ-Boost-DS-RC-PCS-15LH-110-29-CTS-1.8-180/170/160

Date	2021.-10-07	Version	0
Amended			



NO.	PARTS CODE	PARTS NAME	180	170	160	QT
10	FKA063-03	FIXING NUT SET	*	*	*	1
11	FEG034	CABLE CLIP	*	*	*	1
12	FKA116-02	15LH-110 AXLE SET	*	*	*	1

NO.	PARTS CODE	PARTS NAME	180	170	160	QT
4	FKE525-23	VOLUME ADJUSTER ASSY	*	*	*	1
4k	FEG270-30	VOLUME REDUCER	*	*		2
			*	*		3
			*	*		4
5	FKE076-50	VALVE CAP ASSY	*	*	*	1
6	FUN160-95	RC-PCS UNIT	*	*	*	1
7	FKE441	ADJUST KNOB ASSY	*	*	*	1
8	FKE436-10	FIXING NUT SET	*	*	*	1
9	FEG201	REBOUND KNOB	*	*	*	1

NO.	PARTS CODE	PARTS NAME	180	170	160	QT
1	FKH132-10	UPPER ASSY	*	*	*	1
2	FKH134-02	BOTTOM CASE ASSY	*	*	*	1
2b	FAA323-20	DUST SEAL \$ 38	*	*	*	2
2c	FAA389-10	OIL WIPER 38	*	*	*	2
2d	FEP233-20	BOTTOM BUMPER	*	*	*	1
2e	FAA270	O RING	*	*	*	2
2f	FSB188	SEAL SCREW	*	*	*	2
2g	FAA199	MOUNT CAP	*	*	*	2
2h	FSB203	FIXING BOLT	*	*	*	2
3	FKE577-25	SUPPORT TUBE ASSY	*	*	*	1
3j	FPE002-69	SUPPORT TUBE	*			1
	FPE002-68			*		1
	FPE002-67				*	