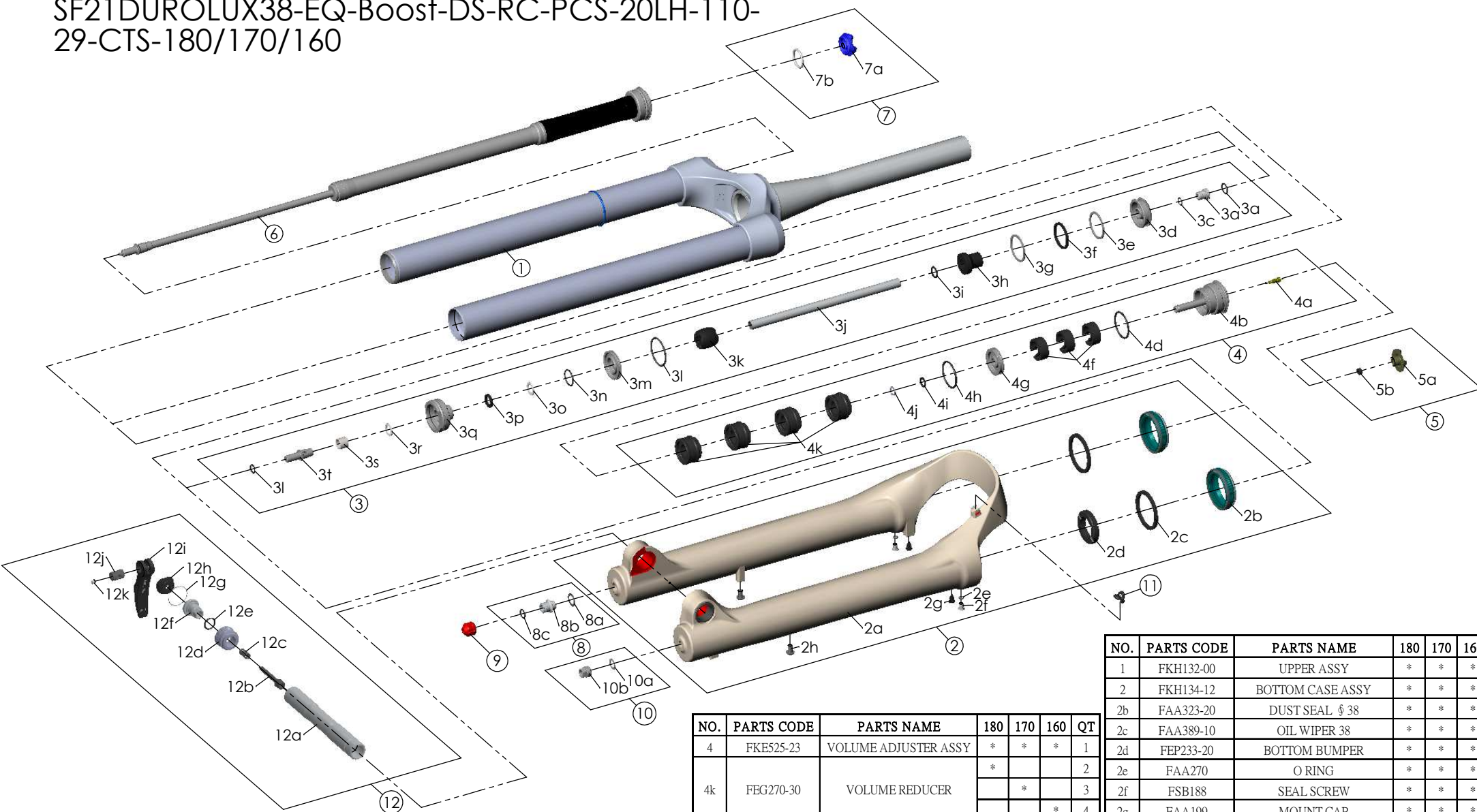


SUNTOUR

SF21DUROLUX38-EQ-Boost-DS-RC-PCS-20LH-110-29-CTS-180/170/160

| | | | |
|---------|-------------|---------|---|
| Date | 2021.-10-07 | Version | 0 |
| Amended | | | |



| NO. | PARTS CODE | PARTS NAME | 180 | 170 | 160 | QT |
|-----|------------|-------------------|-----|-----|-----|----|
| 10 | FKA063-03 | FIXING NUT SET | * | * | * | 1 |
| 11 | FEG034 | CABLE CLIP | * | * | * | 1 |
| 12 | FKA123-00 | 20LH-110 ALXE SET | * | * | * | 1 |

| NO. | PARTS CODE | PARTS NAME | 180 | 170 | 160 | QT |
|-----|------------|----------------------|-----|-----|-----|----|
| 4 | FKE525-23 | VOLUME ADJUSTER ASSY | * | * | * | 1 |
| 4k | FEG270-30 | VOLUME REDUCER | * | * | * | 2 |
| | | | * | * | * | 3 |
| | | | * | * | * | 4 |
| 5 | FKE076-50 | VALVE CAP ASSY | * | * | * | 1 |
| 6 | FUN160-95 | RC-PCS UNIT | * | * | * | 1 |
| 7 | FKE441 | ADJUST KNOB ASSY | * | * | * | 1 |
| 8 | FKE436-10 | FIXING NUT SET | * | * | * | 1 |
| 9 | FEG201 | REBOUND KNOB | * | * | * | 1 |

| NO. | PARTS CODE | PARTS NAME | 180 | 170 | 160 | QT |
|-----|------------|---------------------|-----|-----|-----|----|
| 1 | FKH132-00 | UPPER ASSY | * | * | * | 1 |
| 2 | FKH134-12 | BOTTOM CASE ASSY | * | * | * | 1 |
| 2b | FAA323-20 | DUST SEAL ϕ 38 | * | * | * | 2 |
| 2c | FAA389-10 | OIL WIPER 38 | * | * | * | 2 |
| 2d | FEP233-20 | BOTTOM BUMPER | * | * | * | 1 |
| 2e | FAA270 | O RING | * | * | * | 2 |
| 2f | FSB188 | SEAL SCREW | * | * | * | 2 |
| 2g | FAA199 | MOUNT CAP | * | * | * | 2 |
| 2h | FSB203 | FIXING BOLT | * | * | * | 2 |
| 3 | FKE577-25 | SUPPORT TUBE ASSY | * | * | * | 1 |
| 3j | FPE002-69 | SUPPORT TUBE | * | * | * | 1 |
| | FPE002-68 | | * | * | * | 1 |
| | FPE002-67 | | * | * | * | 1 |