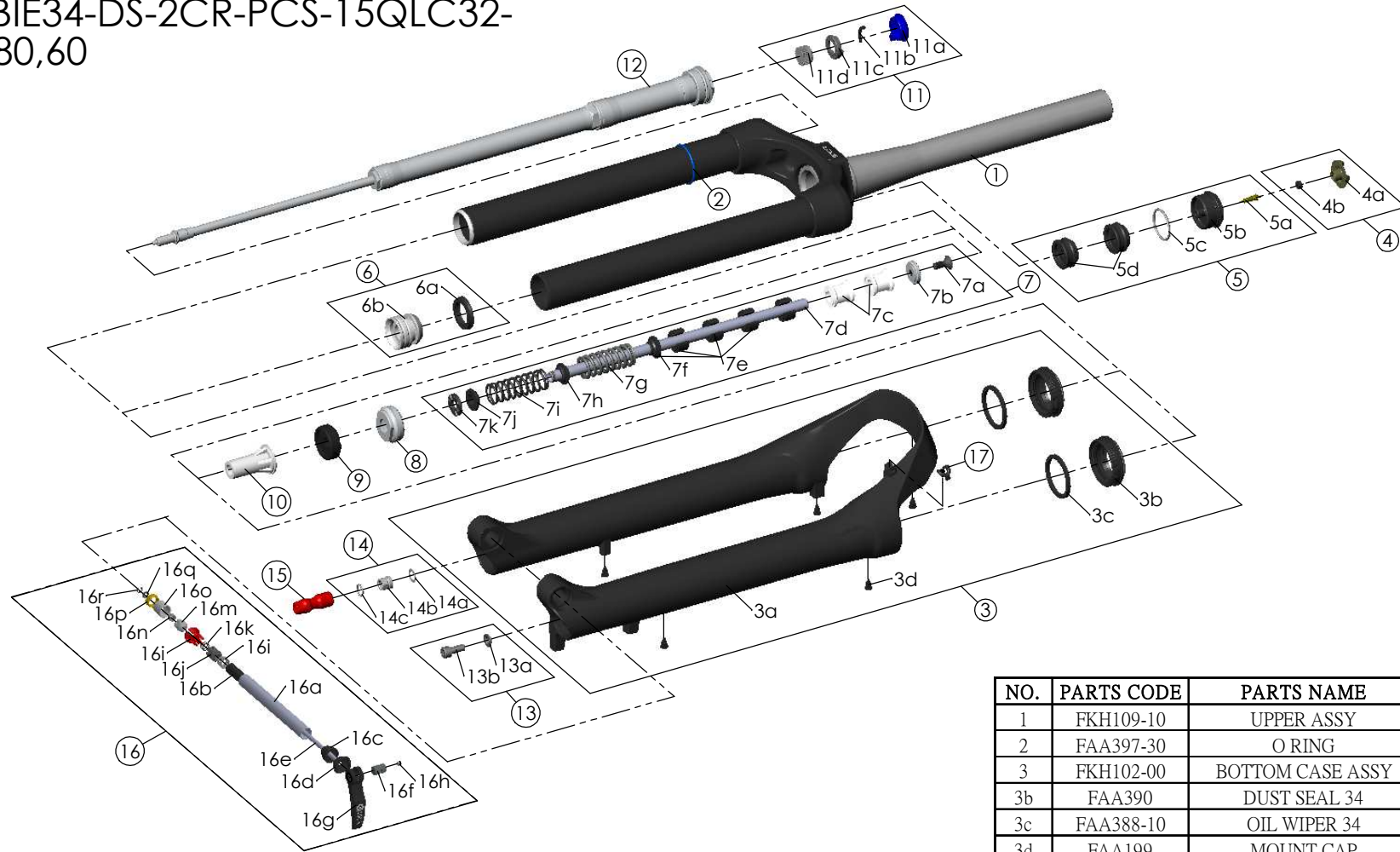




SF21 MOBI E34-DS-2CR-PCS-15QLC32-700-100,80,60

Date	2020-7-05	Version	0
Amended			



NO.	PARTS CODE	PARTS NAME	100	80	60	QT
11	FKE562-12	LO-R KNOB ASSY	*	*	*	1
12	FUN171-35	2CR-PCS UNIT	*	*	*	1
13	FKA044	FIXING BOLT SET	*	*	*	1
14	FKE436-04	FIXING NUT SET	*	*	*	1
15	FEG494-10	REBOUND KNOB	*	*	*	1
16	FKA069-25	15QLC32 AXLE SET	*	*	*	1
17	FEG034	CABLE CLIP	*	*	*	1

NO.	PARTS CODE	PARTS NAME	100	80	60	QT
1	FKH109-10	UPPER ASSY	*	*	*	1
2	FAA397-30	O RING	*	*	*	1
3	FKH102-00	BOTTOM CASE ASSY	*	*	*	1
3b	FAA390	DUST SEAL 34	*	*	*	2
3c	FAA388-10	OIL WIPER 34	*	*	*	2
3d	FAA199	MOUNT CAP	*	*	*	5
4	FKE076-50	VALVE CAP ASSY	*	*	*	1
5	FKE075-18	AIR CAP ASSY	*	*	*	1
6	FKE091-40	PISTON UNIT	*	*	*	1
7	FKE498-32	SUPPORT TUBE ASSY	*	*	*	1
7e	FEG244	REBOUND SPACER	*			0
				*		2
					*	4
8	FEG211	FORK NOSE	*	*	*	1
9	FEP687	BOTTOM BUMPER	*	*	*	1
10	FEG360-50	BOTTOM STOPPER	*	*	*	1