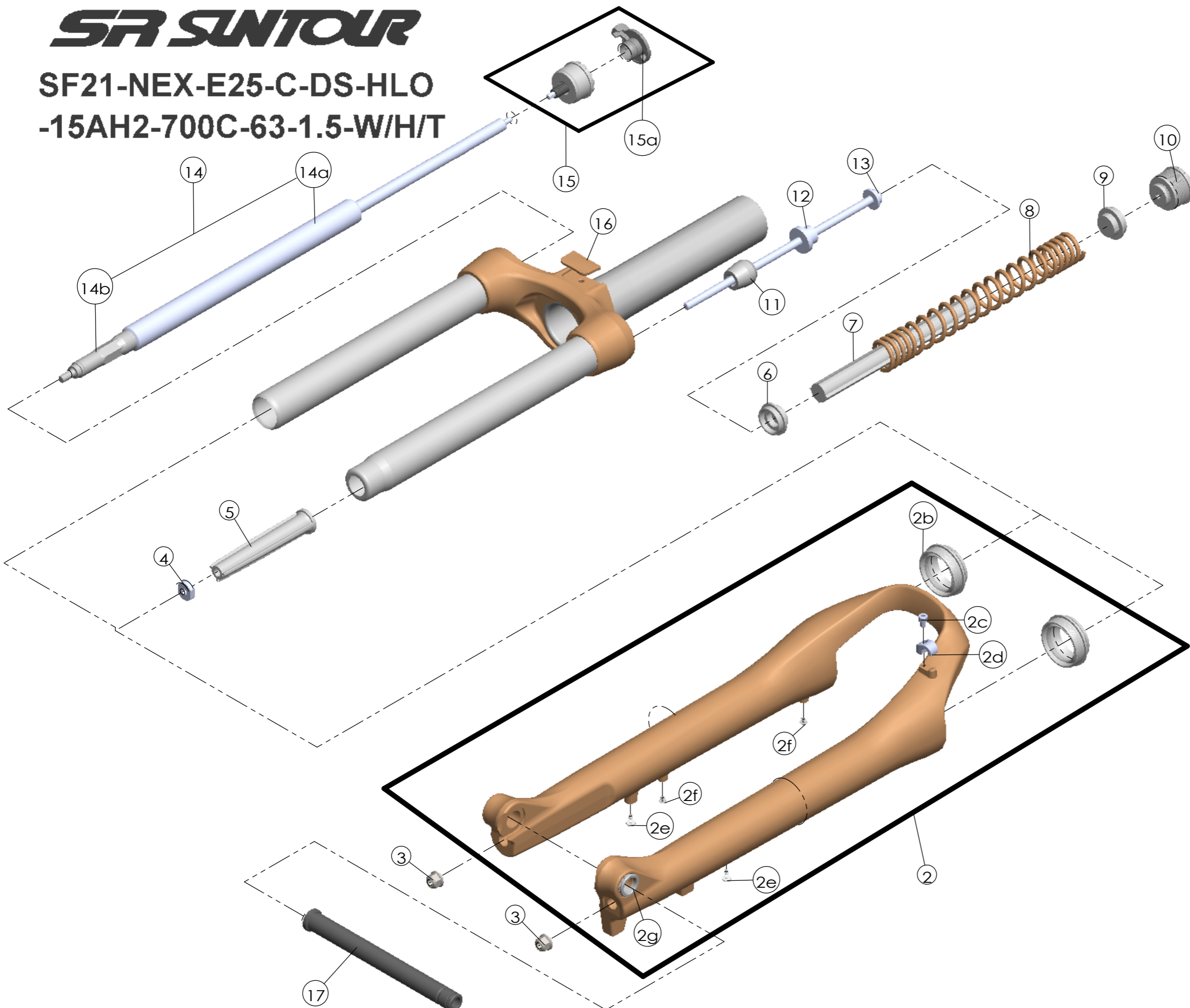


SUNTOUR

SF21-NEX-E25-C-DS-HLO -15AH2-700C-63-1.5-W/H/T

Date	2020.10.26	Version	1
Amended			



NO.	PART NAME	PART CODE	QTY.	
			50	63
1	UPPER ASSY	FKZ131-02	1	1
2	BOTTOM CASE ASSY	FKZ132-20	1	1
2a	BOTTOM CASE	FPB442-10	1	1
2b	DUST SEAL	FAA070-10	2	2
2c	BOLT	FSB153	1	1
2d	HOSE GUIDE	FEG166	1	1
2e	MOUNT CAP	FAA199	2	2
2f	MOUNT CAP	FAA199-10	2	2
2g	AXLE NUT	FSN075-20	1	1
3	FIXING NUT	FSN023	2	2
4	NUT PLATE	FSN025	1	1
5	SUPPORT TUBE	FEG178	1	1
6	SPRING GUIDE	FEE593-10	1	-
		FEE254	-	1
7	DAMPER	FEP322-20	1	-
		FEP262-95	-	1
8	MAIN SPRING	FEP694	1	-
		FEP693	-	1
9	SPRING GUIDE	FEE593-10	1	-
		FEG253	-	1
10	ADJUST SYSTEM	FKE009-11	1	1
11	REBOUND RUBBER	FEP086-10	1	1
12	DAMPER SPACE	FEE452	1	-
13	FIXING BOLT	FSB159-06	1	1
14	DAMPER UNIT	FUN140-03	1	1
14a	DAMPER BODY	FUN140-00	1	1
14b	SUPPORT TUBE	FEE847-10	1	1
15	LO ADJUST SYSTEM	FKE028-28	1	1
15a	LO KNOB	FEG426	1	1
16	BRACE COVER	FEG394	1	1
17	15AH2-110 AXLE SET	FKA117-02	1	1