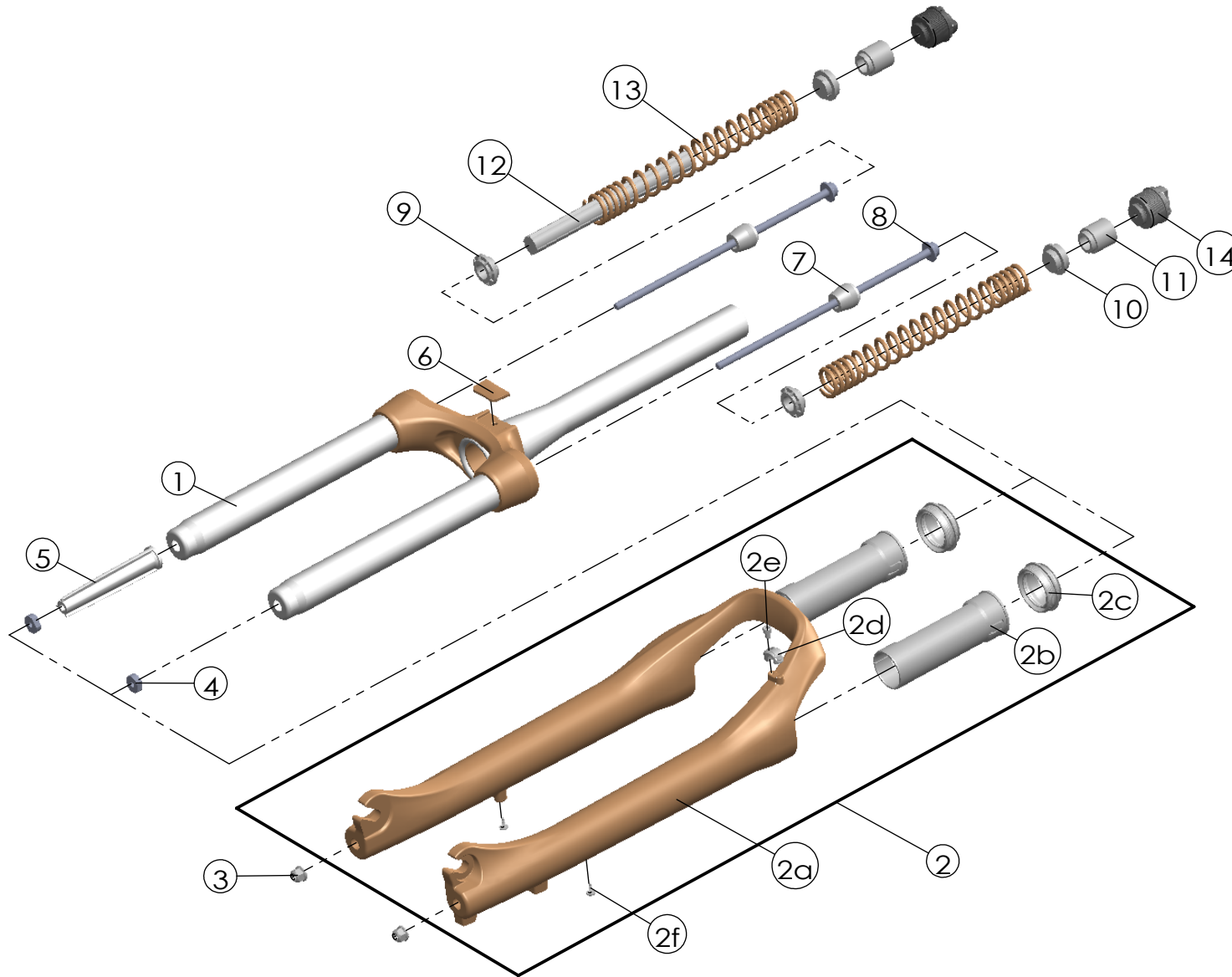


|         |            |         |   |
|---------|------------|---------|---|
| Date    | 2026.01.15 | Version | 1 |
| Amended |            |         |   |



| NO. | PART NAME          | PART CODE | QTY. |    |    |     |
|-----|--------------------|-----------|------|----|----|-----|
|     |                    |           | 63   | 75 | 80 | 100 |
| 1   | UPPER ASSY         | FKZ158-08 | 1    | 1  | 1  | -   |
|     |                    | FKZ158-09 | -    | -  | -  | 1   |
| 2   | BOTTOM CASE ASSY   | FKZ160-10 | 1    | 1  | 1  | 1   |
| 2a  | BOTTOM CASE        | FPB507    | 1    | 1  | 1  | 1   |
| 2b  | SLIDER SLEEVE      | FEE785    | 2    | 2  | 2  | 2   |
| 2c  | DUST SEAL          | FAA070-10 | 2    | 2  | 2  | 2   |
| 2d  | HOSE GUIDE         | FEG166    | 1    | 1  | 1  | 1   |
| 2e  | BOLT               | FSB153    | 1    | 1  | 1  | 1   |
| 2f  | MOUNT CAP          | FAA199    | 2    | 2  | 2  | 2   |
| 3   | FIXING NUT         | FSN023    | 2    | 2  | 2  | 2   |
| 4   | NUT PLATE          | FSN025    | 2    | 2  | 2  | 2   |
| 5   | BOTTOM STOPPER     | FEG262    | 1    | 1  | 1  | -   |
|     |                    | FEG262-10 | -    | -  | -  | 1   |
| 6   | BRACE COVER        | FEG394    | 1    | 1  | 1  | 1   |
| 7   | REBOUND RUBBER     | FEP086-10 | 2    | 2  | 2  | 2   |
| 8   | FIXING BOLT        | FSB159-07 | 2    | -  | -  | -   |
|     |                    | FSB159-08 | -    | 2  | -  | -   |
|     |                    | FSB157-05 | -    | -  | 2  | 2   |
| 9   | SPRING GUIDE LOWER | FEG146-00 | 2    | 2  | 2  | 2   |
| 10  | SPRING GUIDE UPPER | FEE434-10 | 2    | 2  | 2  | 2   |
| 11  | SPRING GUIDE       | FEE992    | 2    | 2  | 2  | 2   |
| 12  | DAMPER             | FEP320-10 | 1    | -  | -  | -   |
|     |                    | FEP320-20 | -    | 1  | 1  | 1   |
| 13  | MAIN SPRING        | FEP729    | 2    | -  | -  | -   |
|     |                    | FEP327-60 | -    | 2  | 2  | -   |
|     |                    | FEP319-60 | -    | -  | -  | 2   |
|     |                    |           |      |    |    |     |
| 14  | ADJUSTER ASSY      | FKE009-11 | 2    | 2  | 2  | 2   |