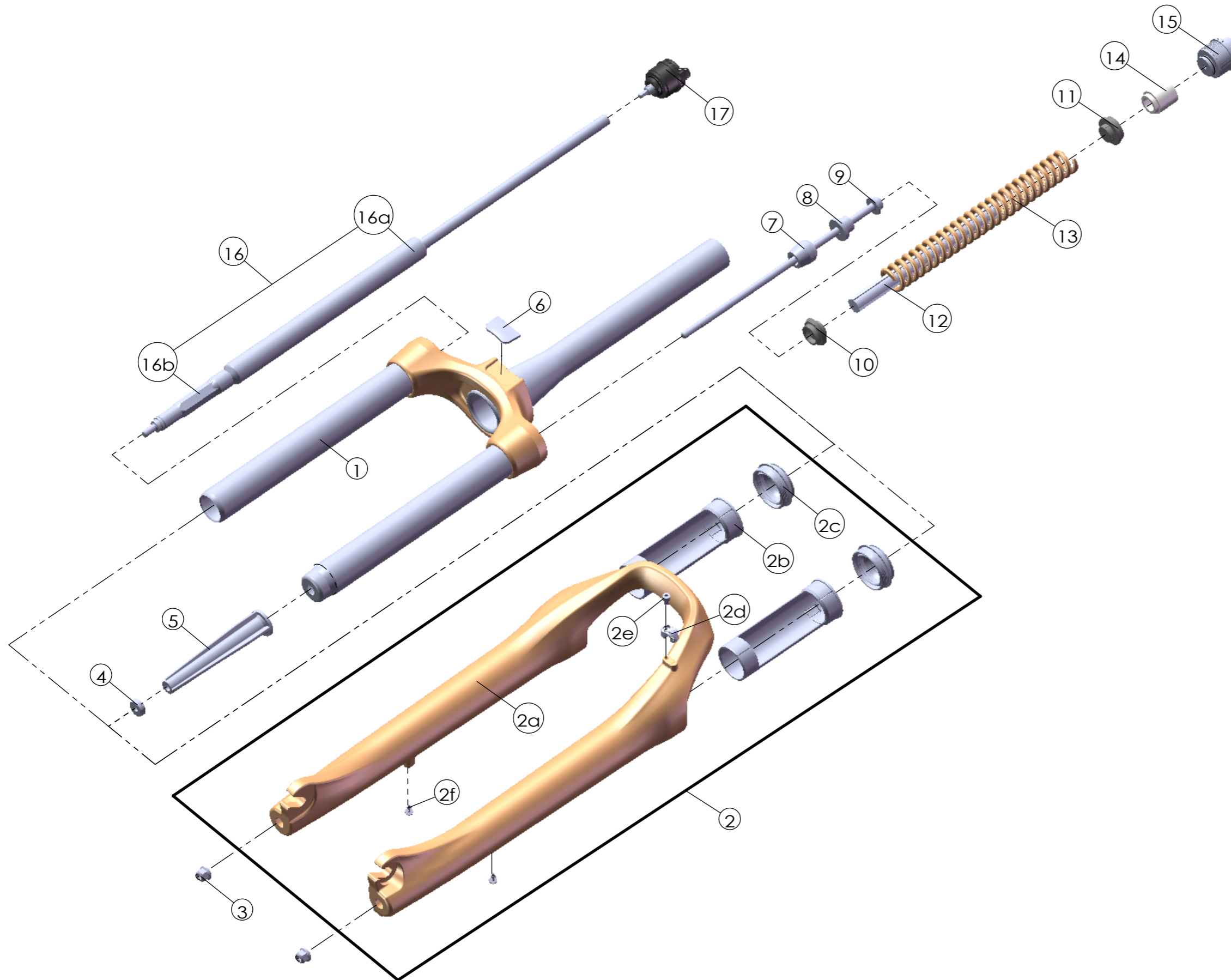


SUNTOUR

SF22-NVX30-DS-LO-27.5-63,75,80,100-CTS

Date	2026.01.19	Version	1
Amended			



NO.	PART NAME	PART CODE	QTY.			
			63	75	80	100
1	UPPER ASSY	FKZ158-15	1	1	-	-
		FKZ158-16	-	-	1	-
		FKZ158-17	-	-	-	1
2	BOTTOM CASE ASSY	FKZ159-20	1	1	1	1
2a	BOTTOM CASE	FPB508	1	1	1	1
2b	SLIDER SLEEVE	FEE785	2	2	2	2
2c	DUST SEAL	FAA070-10	2	2	2	2
2d	HOSE GUIDE	FEG166	1	1	1	1
2e	BOLT	FSB153	1	1	1	1
2f	MOUNT CAP	FAA199	2	2	2	2
3	FIXING NUT	FSN023	2	2	2	2
4	NUT PLATE	FSN025	1	1	1	1
5	BOTTOM STOPPER	FEG262	1	1	-	-
		FEG178	-	-	1	-
		FEG045	-	-	-	1
6	BRACE COVER	FEG394	1	1	1	1
7	REBOUND RUBBER	FEP086-10	1	1	1	1
8	DAMPER SPACE	FEE452	1	-	-	-
9	FIXING BOLT	FSB159-07	-	-	1	1
		FSB159-08	1	1	-	-
10	SPRING GUIDE LOWER	FEG254	1	1	-	-
		FEE593-10	-	-	1	1
11	SPRING GUIDE UPPER	FEG253	1	1	-	-
		FEE592-10	-	-	1	1
12	DAMPER	FEP262-95	1	-	-	-
		FEP262-50	-	1	-	-
		FEP322-20	-	-	1	1
13	MAIN SPRING	FEP693	1	-	-	-
		FEP739	-	1	-	-
		FEP449	-	-	1	-
		FEP448	-	-	-	1
14	SPRING GUIDE	FEE992	-	-	1	1
15	ADJUSTER ASSY	FKE009-11	1	1	1	1
16	DAMPER UNIT	FUN140-02	1	1	1	1
16a	DAMPER BODY	FUN140-00	1	1	1	1
16b	SUPPORT TUBE	FEE847-03	1	1	1	1
17	LO TOP CAP	FKE 028-28	1	1	1	1