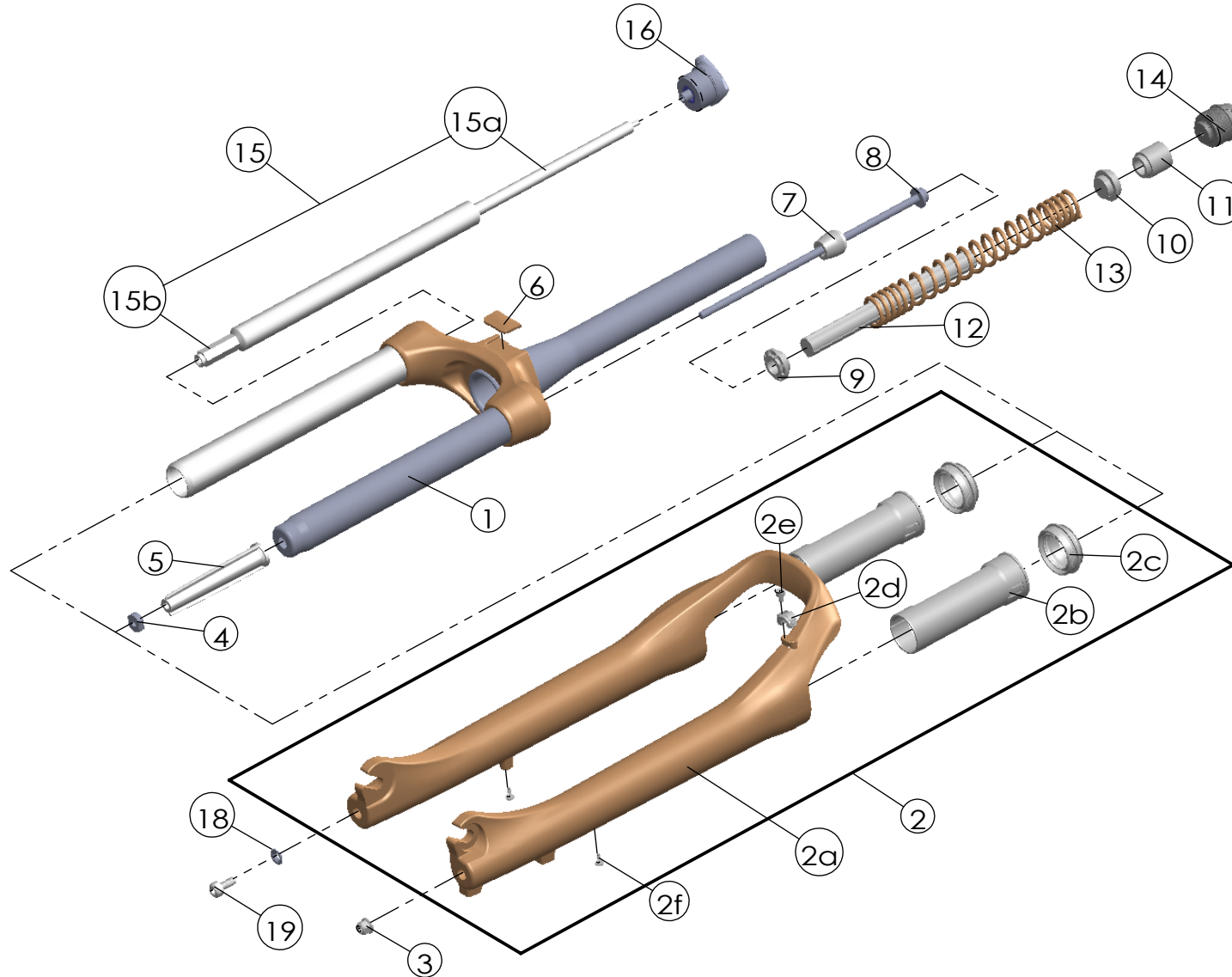


Date	2026.01.16	Version	1
Amended			



NO.	PART NAME	PART CODE	QTY.			
			63	75	80	100
1	UPPER ASSY	FKZ158-10	1	1	1	-
		FKZ158-11	-	-	-	1
2	BOTTOM CASE ASSY	FKZ160-10	1	1	1	1
2a	BOTTOM CASE	FPB507	1	1	1	1
2b	SLIDER SLEEVE	FEE785	2	2	2	2
2c	DUST SEAL	FAA070-10	2	2	2	2
2d	HOSE GUIDE	FEG166	1	1	1	1
2e	BOLT	FSB153	1	1	1	1
2f	MOUNT CAP	FAA199	2	2	2	2
3	FIXING NUT	FSN023	1	1	1	1
4	NUT PLATE	FSN025	1	1	1	1
5	BOTTOM STOPPER	FEG262	1	1	1	-
		FEG262-10	-	-	-	1
6	BRACE COVER	FEG394	1	1	1	1
7	REBOUND RUBBER	FEP086-10	1	1	1	1
8	FIXING BOLT	FSB159-07	1	-	-	-
		FSB159-08	-	1	-	-
		FSB157-05	-	-	1	1
9	SPRING GUIDE LOWER	FEG593-10	1	1	-	-
		FEG146-00	-	-	1	1
10	SPRING GUIDE UPPER	FEG592-10	1	1	-	-
		FEE434-10	-	-	1	1
11	SPRING GUIDE	FEE992	1	-	1	1
12	DAMPER	FEP322-20	1	1	-	-
		FEP320-20	-	-	1	1
13	MAIN SPRING	FEP717	1	-	-	-
		FEP817	-	1	-	-
		FEP439	-	-	1	-
		FEP438	-	-	-	1
14	ADJUSTER ASSY	FKE009-11	1	1	1	1
15	DAMPER UNIT	FUN015-08	1	1	1	-
		FUN015-72	-	-	-	1
15a	DAMPER BODY	FUN015-00	1	1	1	1
		FUN015-70	-	-	-	1
15b	SUPPORT TUBE	FEE314-14	1	1	1	-
		FEE314-12	-	-	-	1
16	ADJUST SYSTEM	FKE310-10	1	1	1	1
17	WASHER	FSW025	1	1	1	1
18	BOLT	FSB070	1	1	1	1