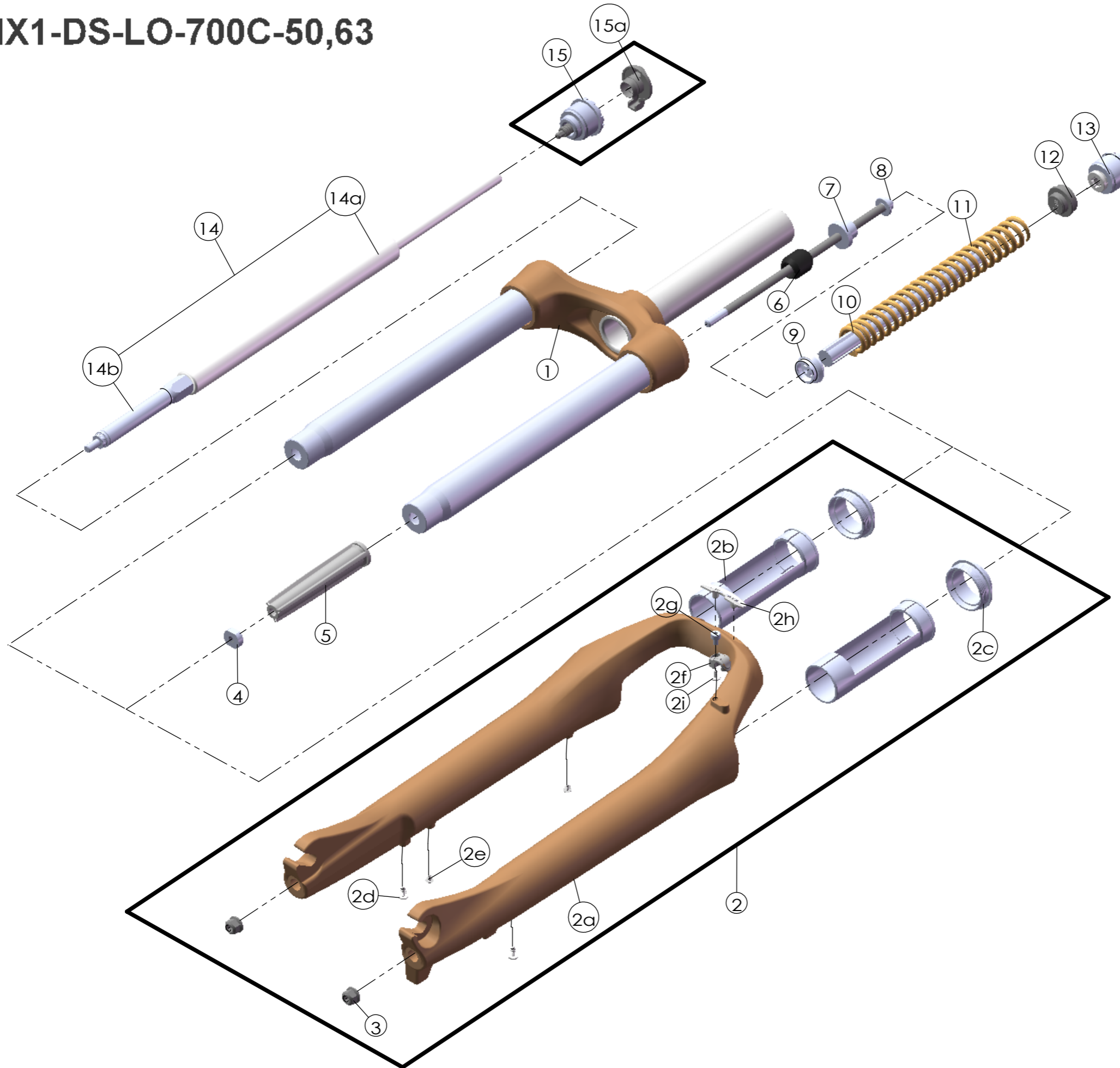


Date	2021.6.2	Version	1
Amended			



NO.	PART NAME	PART CODE	QTY.	
			50	63
1	UPPER ASSY	FKZ154-01	1	1
2	BOTTOM CASE ASSY	FKZ155-10	1	1
2a	BOTTOM CASE	FPB516	1	1
2b	SLIDER SLEEVE	FEE785	2	2
2c	DUST SEAL	FAA070-10	2	2
2d	MOUNT CAP	FAA199	2	2
2e	MOUNT CAP	FAA199-10	2	2
2f	HOSE GUIDE	FEG166	1	1
2g	FIXING BOLT	FSB153	1	1
2h	BRACE COVER	FEG495	1	1
2i	TAPPING SCREW	FSB124	2	2
3	FIXING NUT	FSN023	2	2
4	NUT PLATE	FSN025	1	1
5	BOTTOM STOPPER	FEG262	1	1
6	REBOUND RUBBER	FEP086-10	1	1
7	DAMPER SPACE	FEE452	1	-
8	FIXING BOLT	FSB159-07	1	1
9	SPRING GUIDE	FEE593-10	1	1
10	DAMPER	FEP322-20	1	1
11	MAIN SPRING	FEP716-10	1	-
		FEP717-10	-	1
12	SPRING GUIDE	FEE592-10	1	1
13	ADJUSTER ASSY	FKE009-24	1	1
14	DAMPER UNIT	FUN027-61	1	1
14a	DAMPER BODY	FUN027-60	1	1
14b	SUPPORT TUBE	FEE847-04	1	1
15	LO ADJUST SYSTEM	FKE526-36	1	1
15a	LO KNOB	FEG387-10	1	1